



# CEMBRE



**BATTERY OPERATED HYDRAULIC CUTTING TOOL**  
**COUPLE-CABLE HYDRAULIQUE SUR BATTERIE**  
**HYDRAULISCHES AKKU-SCHNEIDWERKZEUG**  
**HERRAMIENTA HIDRÁULICA DE CORTE A BATERÍA**  
**UTENSILE OLEODINAMICO DA TAGLIO A BATTERIA**

**EN**  
**FR**  
**DE**  
**ES**  
**IT**



**CE UK**  
**CA CA**

**B-TC250ND | B-TC250NDA | B-TC250NDE**  
**B-TC250YND | B-TC250YNDA | B-TC250YNDE**

OPERATION AND MAINTENANCE MANUAL.....	4
(Translation of the original instructions)	
NOTICE D'UTILISATION ET ENTRETIEN.....	13
(Traduction des instructions originales)	
BEDIENUNGSANLEITUNG.....	22
(Übersetzung der Originalanleitung)	
MANUAL DE USO Y MANTENIMIENTO.....	31
(Traducción de las instrucciones originales)	
MANUALE D'USO E MANUTENZIONE.....	40
(Istruzioni originali)	

FIG./BILD 1

Battery  
Batterie  
Akku  
Bateria  
Batteria

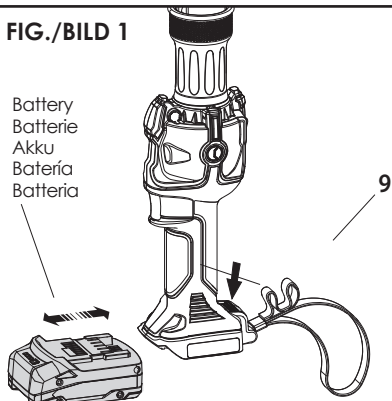


FIG./BILD 2

adhesive tape - ruban adhésif  
Klebeband - cinta adhesiva  
nastro adesivo

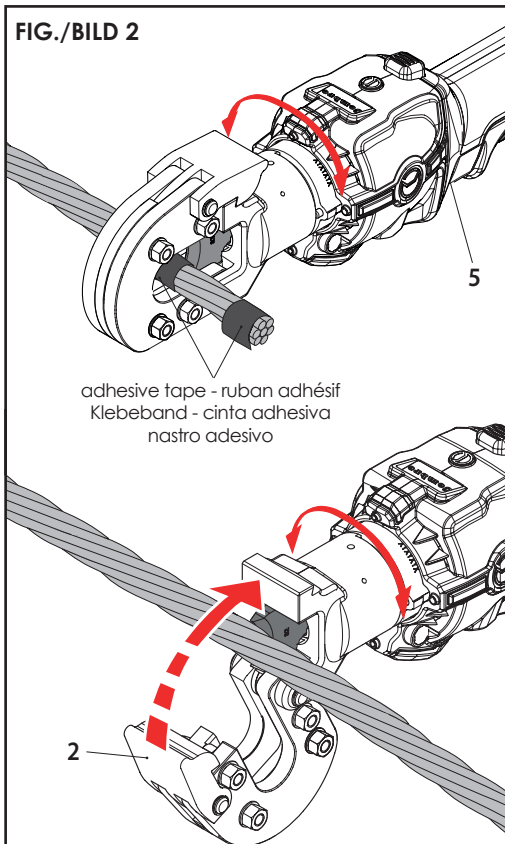


FIG./BILD 4



Low battery  
Batterie déchargée  
Akku leer  
Bateria descargada  
Batteria scarica

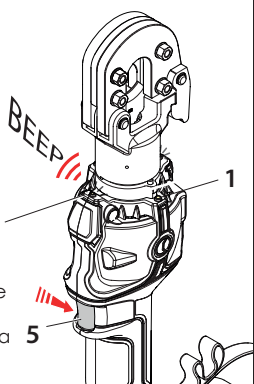


FIG./BILD 3

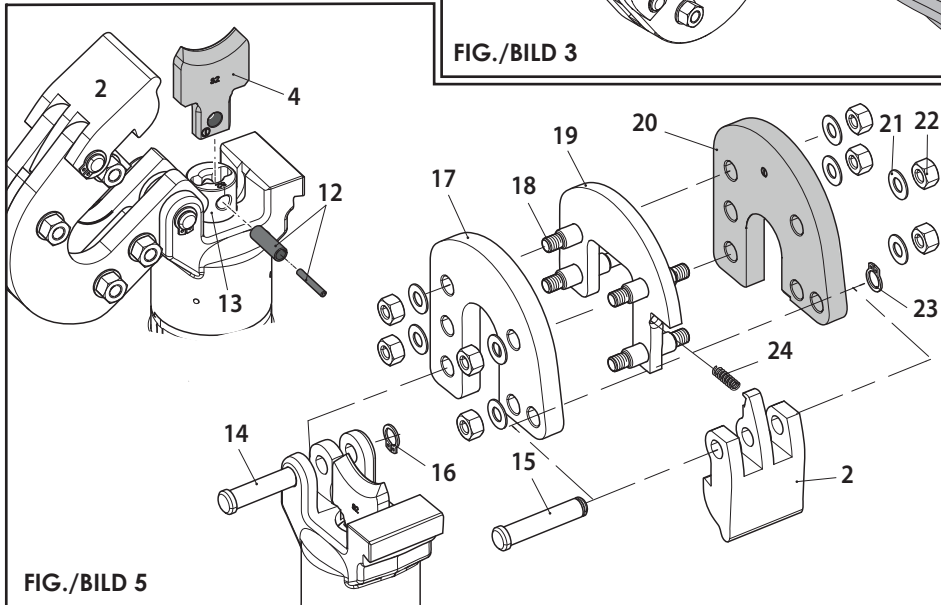
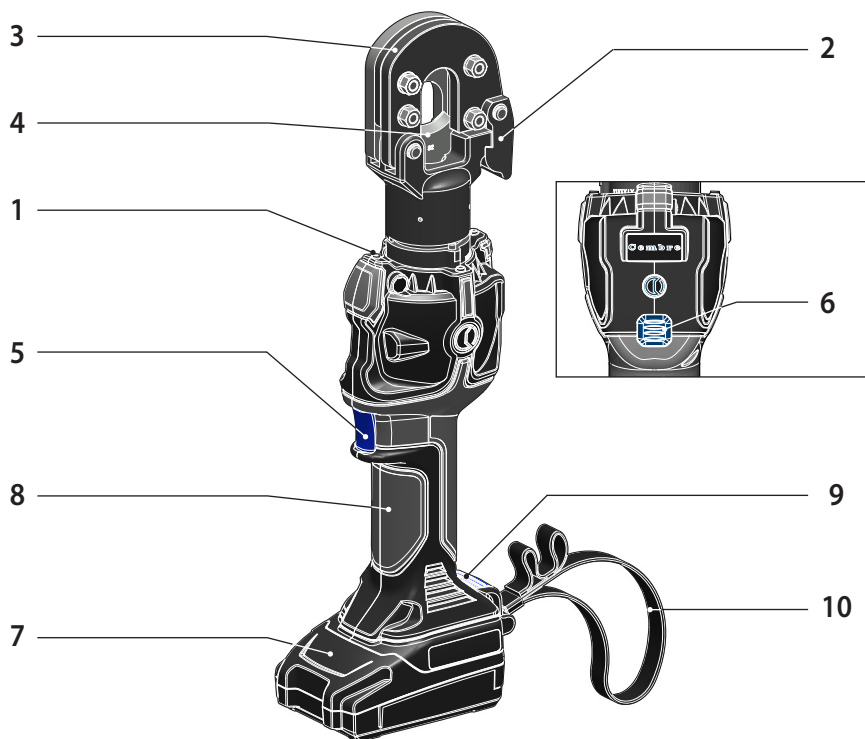



FIG./BILD 5



1	LED WORKLIGHT / ECLAIRAGE PAR LED / LED-BELEUCHTUNG / LUCES LED / ILLUMINAZIONE LED
2	LATCH / LOQUET / VERRIEGELUNG / DIENTE DE RETENCIÓN / DENTE DI ARRESTO
3	HEAD / TETE / KOPF / CABEZA / TESTA
4	LOWER BLADE / LAME INFÉRIEURE / SCHNEIDMESSER / CUCHILLA INFERIOR / LAMA INFERIORE
5	OPERATING BUTTON / GACHETTE DE COMMANDE / STARTKNOPF / BOTÓN DE ACCIONAMIENTO / PULSANTE DI AZIONAMENTO
6	PRESSURE RELEASE BUTTON / GACHETTE DE DECOMPRESSION / DRUCKABLASSKNOPF / BOTÓN DE DESBLOQUEO PRESIÓN / PULSANTE DI RILASCIO
7	BATTERY / BATTERIE / AKKU / BATERÍA / BATTERIA
8	HANDLE / POIGNEE / GRIFF / EMPUÑADURA / IMPUGNATURA
9	BATTERY RELEASE / DEBLOCAGE BATTERIE / AKKU ENTRIEGELUNG / DESBLOQUEO BATERÍA / SBLOCCO BATTERIA
10	WRIST STRAP / DRAGONNE / HANDTRAGERIEMEN / CORREA PARA LA MUÑECA / CINTURINO DA POLSO

# 1. GENERAL CHARACTERISTICS

<b>Application range</b>		suitable for cutting Copper, Aluminium, ACSR and Steel conductors, ropes and rods (B-TC250YND: guy wire including EHS, ground rod up to 5/8")  <b>Do not cut live cables or conductors.</b>
Operating pressure	bar (psi)	600 (8700) <b>B-TC250ND</b> 880 (12700) <b>B-TC250YND</b>
Dimensions	mm (inches)	401x136x81 (15.8x5.4x3.2) <b>B-TC250ND</b> 414x136x81 (16.3x5.4x3.2) <b>B-TC250YND</b>
Max. cutting diameter	mm (inches)	25 (1)
Weight with battery	kg (lbs)	3,5 (7.7) <b>B-TC250ND</b> 3,7 (8.2) <b>B-TC250YND</b>
Motor	V ---	18
Operating temperature	°C (°F)	-15 a +50 (+5 a +122)
Recommended oil		TOTAL DIEKAN 1640 or equivalents
Operating speed		twin speed operation and automatic switching from a rapid advancing speed of the ram to a slower, more powerful cutting speed
Safety		maximum pressure valve
<b>Storage case</b>	type	VAL-P22
Dimensions	mm (inches)	465x315x116 (18.3x12.4x4.6)
Weight	kg (lbs.)	1,5 kg (3.3 lbs.)
<b>Acoustic noise <sup>(1)</sup></b>		
L <sub>pA</sub>	dB (A)	68,5
L <sub>pCPeak</sub>	dB (C)	87,3
L <sub>WA</sub>	dB (A)	75,2
<b>Vibration <sup>(2)</sup></b>	m/s <sup>2</sup>	a <sub>hv</sub> 1,015

<sup>(1)</sup> Directive 2006/42/EC, annexe 1, point 1.7.4.2 letter u

$L_{pA}$  = weighted continuous acoustic pressure level equivalent.

$L_{pCPeak}$  = maximum value of the weighted acoustic displacement pressure at the work place.

$L_{WA}$  = acoustic power level emitted by the machine.

<sup>(2)</sup> The vibration emission during actual use of the tool can differ from the declared total value depending on the ways in which the tool is used and of the need to identify safety measures to protect the operator that are based on an estimation of exposure in the actual conditions of use. Estimation of exposure is performed taking account of all parts of the operating cycle such as the times when the tool is switched off and when it is running idle in addition to the trigger time.

EN

## 2. COMPLIANT USE

- The device is a hydraulic tool intended exclusively for cutting conductors of the type and with the cross-section shown in the § 1 "Application range".
- Any use other than this is considered improper use. The manufacturer/supplier is not liable for damage resulting from improper use. The risk is the sole responsibility of the user.
- The device was manufactured according to the current state of the art and commonly recognised technical safety rules and standards. Nevertheless, physical risks to the user or others, as well as damage to the device and other material goods, cannot be completely ruled out during its use.
- The device may only be used if in a perfect technical condition, in accordance with its intended purpose, with proper safety and hazard awareness and in compliance with the instructions.
- The concept of compliant use also includes full observance of the instructions, including maintenance recommendations/standards provided by the manufacturer.

## DISCLAIMER: PRODUCTS INTENDED FOR PROFESSIONAL USE

Cembre products are intended for professional users (B2B). The applicability of consumer protection regulations, including those related to warranty, is expressly excluded. Please refer to the manufacturer's website, [www.cembre.com](http://www.cembre.com), for any information regarding product terms and conditions of sales and warranty.

The sale of Cembre products through channels accessible to consumers is expressly prohibited, and vendors who contravene this prohibition will assume all civil and criminal liability towards third parties and the competent authorities.

## Definitions: Safety guidelines

A list and definition of the warning words that may be used in this document is provided below. The warning words indicate the type, severity, and consequences that may result from failure to comply with safety measures.

### **DANGER**

indicates a situation of imminent risk which, if not avoided, will result in death or serious personal injury.

### **WARNING**

indicates a situation of potential risk which, if not avoided, may result in death or serious personal injury.

### **CAUTION**

indicates a situation of potential risk which, if not avoided, may result in minor or moderate personal injury.

### **NOTICE**

indicates important information or procedures to be followed that will not result in personal injury but, if not avoided, may result in damage to items or property.

 **WARNING** **Read all safety warnings, instructions, illustrations and specifications provided with this tool.**

Failure to follow all instructions may result in material damage and/or serious injury.

**Save all warnings and instructions for future reference.**

### 3. INSTRUCTIONS FOR USE

The part reference includes the following:

- Hydraulic cutting tool.
- Li-Ion rechargeable battery (2 pcs).
- Battery charger (model depends on the tool version).
- Shoulder strap.
- Carrying case.
- USB cable.

The tool can be easily carried using either the handle or the shoulder strap attached to ring.

**NOTICE** Before starting any work, check the battery charge (Ref. to § “Battery status”) and recharge if necessary, following the instructions in the battery charger user manual.

To replace the battery, remove it by pressing the release button (Ref. to Fig. 1), then insert the new battery, sliding it into the guides until it locks.

#### 3.1) Head rotation

For ease of operation, the tool head can rotate, allowing the operator to work in the most comfortable position.

**NOTICE** Do not attempt to rotate the head when the hydraulic circuit is pressurised.

#### 3.2) Setting

- Insert the conductor between the blades, up to the desired cutting point (Ref. to Fig. 2).

**⚠ WARNING** Mechanical hazard - When cutting short pieces of steel or ACSR ropes, tie or wrap rope with adhesive or duct tape around the area to be cut and at its end, so to prevent projection of steel fragments which could hurt the operator.

- For a running conductor, release the latch and open the tool head.

**NOTICE** Fully retract the lower blade before attempting to open the tool head (Ref. to § “Blade retraction”).

- With the conductor on the lower blade, close the tool head and fully secure the latch.

**⚠ WARNING** Mechanical hazard - Before commencing the cutting operation ensure that the latch is fully secured.

### **3.3) Blade advancement**

- Operate the push-button (5) (Ref. to Fig. 2) to activate the motor-pump, the ram will gradually move forward until the lower blade touches the conductor.
- To halt the advancement, release the push-button and the motor will cut out.

**NOTICE** Make sure the blade is exactly positioned on the desired cutting point otherwise re-open the blade following instructions as per § “Blade retraction” and reposition it.

### **3.4) Cutting**

- Firmly hold the tool and operate the push-button (5) to gradually move the lower blade (4) to cut through the conductor.
- When the cut is performed, release the button (5).

### **3.5) LED Worklights**

Whilst the tool is in operation, the work area is illuminated by two high luminosity LED Worklights that switch off automatically at the end of the cycle.

### **3.6) Blade retraction**

By operating the pressure release button (6), the ram will retract and open the blades.

### **3.7) Using the battery charger**

Carefully follow the instructions in the battery charger user manual.

## 4. BATTERY AND CHARGER

### Safety instructions for batteries:



- Protect battery from water and moisture!
- Do not expose batteries to naked flames!



- A slightly acidic, flammable fluid may leak from defective Li-Ion batteries!
- If battery fluid leaks out and comes into contact with your skin, rinse immediately with plenty of water. If battery fluid leaks out and comes into contact with your eyes, wash them with clean water and seek medical attention immediately!



- At the end of their life, always recycle batteries.
- Never discard batteries with domestic waste. They must be sent to appropriate collection centres for disposal.

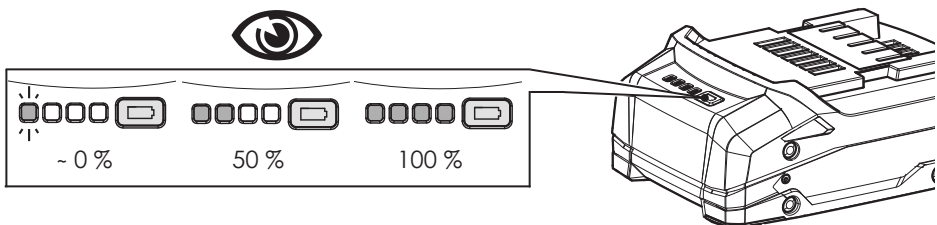
- Do not use faulty or deformed batteries!
- Do not open batteries!
- Do not touch or short circuit battery contacts!
- If the machine is defective, remove the battery from the machine.
- Remove the battery from the machine to transport the machine.

The tool can be equipped with 2.0 Ah or 5.2 Ah battery:

Rechargeable battery	type	CB1820L (Li-Ion)	CB1852L (Li-Ion)
Characteristics	V / Ah / Wh	18 / 2.0 / 36	18 / 5.2 / 93.6
Weight	kg (lbs)	0,4 (0.9)	0,66 (1.45)

### 4.1) Battery status

- The battery is equipped with LED indicators that indicate the remaining battery life at any time by pressing the adjacent button:
  - 1 LED flashing: minimum charge, replace the battery
  - 2 LEDs illuminated: 50 % capacity
  - 4 LEDs illuminated: fully charged



- For tools equipped with a display only, with the battery inserted into the tool, the remaining battery life can also be checked on the display, via touch button selection:



**NOTICE** The follow screen shown indicates that the battery voltage has dropped below a minimum safety threshold; under these conditions the tool will not start, and it is necessary to recharge or replace the battery.



- To replace the battery, remove it by pressing the release button, then insert the new battery, sliding it into the guides until it locks.

#### 4.2) Using the battery charger

Depending on the model, the tool can be equipped with one of the following battery chargers:

Battery charger	type	ASC55-EU	ASC55-UK	ASC55-AUS/NZ	ASC55-USA/CA
Input	V / Hz	220 - 240 / 50 - 60			115 / 60
Power	W	85			
Power plug	type	EU - type C	UK - type G	AUS - type I	US - type A

Carefully follow the instructions in the battery charger user manual.

The approximate time to fully recharge a battery is:

- about 40 minutes for CB1820L batteries
- about 100 minutes for CB1852L batteries

## 5. MAINTENANCE

**⚠ WARNING** Electrical hazard - Remove the battery from the tool before performing any maintenance. Always disconnect the battery charger after use.

**⚠ WARNING** Chemical hazard - Do not disassemble the battery or tool.

**NOTICE** Contact a CEMBRE service centre if necessary.

The tool is robust, completely sealed, and requires very little daily maintenance. Compliance with the following points, should help to maintain its optimum performance.

### 5.1) Thorough cleaning

Dust, sand and dirt are a danger for any hydraulic device.

Every day, after use, the tool must be wiped with a clean cloth taking care to remove any residue, especially close to pivots and moveable parts.

Do not use hydrocarbons to clean the rubber parts.

### 5.2) Storage case

When not in use, the tool should be stored and transported in the case, to prevent damage.

### 5.3) Routine maintenance

When the tool reaches the predetermined number of hours worked, it will signal via an audible alarm that routine maintenance is recommended.

**NOTICE** The tool will continue to work, however 15 sec. after use an alarm comprising 3 beeps combined with illumination of the worklights will signal that its return to CEMBRE for service is recommended.

## 6. BLADE REPLACEMENT (Ref. to Fig. 5)

**⚠ WARNING** Mechanical hazard - When changing blades, the battery must first be removed from the tool.

After extended use, the blades may break or loose their cutting edge.  
Replace the blades as follows:

### Lower blade


- Release latch (2), and open the tool head completely.
- Operate the tool to advance the lower blade (4) and remove the battery.
- Eject two split pins (12) from the ram (13) to release the blade (4).
- Remove the broken blade from the ram, insert the new blade and fit with two split pins.

**NOTICE** Before closing the tool head, push the release button (6) and fully retract the lower blade, otherwise the tool head assembly may hit and damage, the lower blade.

### Upper blade

- Release latch (2), and fully open the tool head.
- Remove circlip (16) and extract the head pin (14) to release the tool head.
- Remove circlip (23) and latch pin (15) to release the latch (2).
- Remove the latch and recover the latch spring (24).
- Using a 10 mm spanner, remove 8 nuts (22) and relevant washers (21).
- Remove 4 studs (18), releasing the broken blade (20).
- Position the new blade, insert 4 studs (18), fit 8 washers (21) and light tighten 8 nuts (22).
- Insert the latch spring (24) into the spacer (19).
- Reassemble the latch (2) and fully tighten the 8 nuts (22).
- Fit the head assembly to the head support using the pin (14) and circlip (16).

# 1. CARACTERISTIQUES GENERALES

<b>Domaine d'application</b>		conçu pour couper des câbles métalliques en cuivre, aluminium, almelec, aluminium-acier (ACSR) et acier (B-TC250YND: câble de haubanage, y compris EHS, tige de terre jusqu'à 5/8")  <b>Ne pas couper de câble sous tension électrique.</b>
Pression de travail	bar (psi)	600 (8700) <b>B-TC250ND</b> 880 (12700) <b>B-TC250YND</b>
Dimensions	mm (inches)	401x136x81 (15.8x5.4x3.2) <b>B-TC250ND</b> 414x136x81 (16.3x5.4x3.2) <b>B-TC250YND</b>
Diamètre maxi. de coupe	mm (inches)	25 (1)
Poids avec batterie	kg (lbs)	3,5 (7.7) <b>B-TC250ND</b> 3,7 (8.2) <b>B-TC250YND</b>
Moteur	V ===	18
Température de fonctionnement	°C (°F)	-15 a +50 (+5 a +122)
Huile recommandée		TOTAL DIEKAN 1640 ou équivalents
Avance rapide		l'outil passe automatiquement de la vitesse rapide à la vitesse lente de coupe
Sécurité		valve de surpression
<b>Rangement</b>	type	VAL-P22
Dimensionsi	mm (inches)	465x315x116 (18.3x12.4x4.6)
Poids	kg (lbs.)	1,5 kg (3.3 lbs.)
<b>Bruit aérien sonore <sup>(1)</sup></b>		
L <sub>pA</sub>	dB (A)	68,5
L <sub>pCPeak</sub>	dB (C)	87,3
L <sub>WA</sub>	dB (A)	75,2
<b>Vibrations <sup>(2)</sup></b>	m/s <sup>2</sup>	a <sub>hv</sub> 1,015

<sup>(1)</sup> Directive 2006/42/CE, annexe 1, point 1.7.4.2, lettre u

$L_{pA}$  = niveau de pression sonore continue équivalente pondérée A sur le poste de travail.

$L_{pCPeak}$  = valeur de pression sonore instantanée pondérée C sur le poste de travail.

$L_{WA}$  = niveau de puissance acoustique dégagée par la machine.

<sup>(2)</sup> L'émission de vibrations lors de l'utilisation réelle de l'outil peut différer de la valeur totale déclarée en fonction de la manière dont l'outil est utilisé et la nécessité d'identifier des mesures de sécurité pour protéger l'opérateur basées sur une estimation de l'exposition dans les conditions réelles d'utilisation et l'estimation de l'exposition doit tenir compte de toutes les phases du cycle de fonctionnement, y compris les moments où l'outil est éteint et ceux où il tourne au ralenti.

## 2. UTILISATION CONFORME

- L'appareil est un outil hydraulique destiné exclusivement à la coupe des conducteurs dont la nature et la section sont indiquées dans le paragraphe 1 «Domaine d'application».
- Toute autre utilisation est considérée comme inappropriée. Le fabricant/fournisseur n'est pas responsable des dommages résultant d'une utilisation inappropriée; le risque est entièrement la responsabilité de l'utilisateur.
- L'appareil a été fabriqué conformément à l'état actuel de la technique et aux règles et normes techniques de sécurité communément admises. Néanmoins, les risques pour la vie et l'intégrité physique de l'utilisateur ou de tiers, ainsi que les dommages causés à l'appareil et à d'autres biens matériels, ne peuvent être totalement exclus lors de son utilisation.
- L'appareil ne peut être utilisé qu'en parfait état technique, conformément à l'usage auquel il est destiné, en étant conscient des dangers, en veillant à garantir la sécurité et en respectant les instructions.
- Le concept d'utilisation conforme comprend également le respect des instructions, y compris les recommandations/normes d'entretien fournies par le fabricant.

## AVIS DE NON-RESPONSABILITÉ: PRODUITS DESTINÉS À UN USAGE PROFESSIONNEL

Les produits Cembre sont destinés aux utilisateurs professionnels (B2B); l'applicabilité des règles de protection destinées aux consommateurs, y compris celles relatives à la garantie, est expressément exclue. Pour toute information relative aux conditions de vente et de garantie des produits, se référer au site Internet du fabricant [www.cembre.com](http://www.cembre.com).

La vente des produits Cembre sur des plateformes accessibles aux consommateurs est expressément interdite et les contrevenants à cette interdiction seront civilement et pénalement responsables vis-à-vis des tiers et des autorités compétentes.

## Définitions: Consignes de sécurité

Les termes d'avertissement susceptibles d'être utilisés dans ce document sont listés et définis ci-dessous. Les termes d'avertissement indiquent le type, la gravité et les conséquences pouvant découler du non-respect des consignes de sécurité.

### **DANGER**

indique une situation de risque imminent qui, si elle n'est pas évitée, provoque la mort ou des blessures corporelles graves.

### **AVERTISSEMENT**

indique une situation de risque potentiel qui, si elle n'est pas évitée, peut provoquer la mort ou des blessures corporelles graves.

### **ATTENTION**

indique une situation de risque potentiel qui, si elle n'est pas évitée, pourrait provoquer des blessures corporelles de légères à moyennes.

### **AVIS**

indique des informations importantes ou des procédures à suivre qui, si elles ne sont pas suivies, n'entraînent pas de blessures corporelles mais peuvent provoquer des dommages matériels.

** AVERTISSEMENT** **Veillez lire tous les avertissements de sécurité, les instructions, les illustrations et les spécifications fournis**

**avec cet outil.**

Tout non-respect de toutes les instructions peut provoquer des dommages matériels et/ou des blessures graves.

**Veillez conserver tous les avertissements et instructions afin de pouvoir vous y reporter plus tard.**

### 3. INSTRUCTIONS D'UTILISATION

L' ensemble comprend:

- Coupe-câble hydraulique.
- Batterie rechargeable Li-Ion (2 pcs).
- Chargeur de batterie (différent en fonction de la version de l'outil).
- Bandoulière.
- Coffret de rangement.
- Câble USB.

L'outil peut être transporté facilement grâce à sa poignée et à la bandoulière accrochée par l'anneau.

**AVIS** Avant de commencer toute opération, contrôler l'état de charge de la batterie (voir § "Autonomie de la batterie») et, si nécessaire, la recharger en suivant les instructions contenues dans le manuel d'utilisation du chargeur de batteries.

Pour remplacer la batterie, la retirer en appuyant sur le mécanisme de déblocage (Réf. a Fig. 1) puis introduire la nouvelle batterie en la faisant coulisser sur les guides jusqu'au blocage complet.

#### 3.1) Rotation de la tête

- La tête de l'outil pivote par rapport au corps, permettant à l'utilisateur de travailler dans la meilleure position.

**AVIS** Ne pas forcer la rotation de la tête, lorsque le circuit hydraulique est sous pression.

#### 3.2) Préparation

- Positionner le câble entre les lames de façon à ce qu'elles soient en correspondance avec la position de coupe souhaitée (Réf. a Fig. 2).

**⚠ AVERTISSEMENT** Risque mécanique - Pour couper de courts morceaux de câbles en acier ou en alu-acier, il est suggéré de lier ou bien d'enrouler l'extrémité et le point de coupe avec du ruban adhésif; ça limitera la projection d'éclats en acier qui pourrait causer des dommages ou lésions à l'opérateur.

- Si le câble est passant, il sera alors nécessaire d'ouvrir la tête en tirant le loquet permettant la rotation et l'ouverture de la tête.

**AVIS** L'ouverture de la tête ne devra être effectuée qu'avec la lame inférieure complètement baissée.

Poser la lame inférieure contre le câble à couper, refermer la tête en la verrouillant à l'aide du loquet.

## **⚠ AVERTISSEMENT**

enclenché.

**Risque mécanique - Avant d'effectuer l'opération de coupe, s'assurer que le loquet soit parfaitement**

### **3.3) Avance des lames**

- Appuyer sur la gâchette de commande (5) (Réf. a Fig. 2) pour mettre en marche le groupe moteur-pompe; la lame inférieure commence l'approche du câble.
- La gâchette de commande relâchée, le moteur et l'avance de la lame inférieure cessent immédiatement.

## **AVIS**

**S'assurer que les lames sont bien positionnées sur la zone à couper, sinon desserrer les lames en suivant les instructions du § "Réouverture des lames" et repositionner le câble.**

### **3.4) Coupe**

- Tenez l'outil fermement et appuyer sur la gâchette de commande (5) pour mettre en marche le moteur; la lame inférieure avance progressivement jusqu'à ce que le câble soit coupé complètement.
- Relâchez la gâchette de commande (5) lorsque la coupe est effectuée.

### **3.5) Led**

Lors de l'actionnement de l'outil, la zone de travail est éclairée au moyen de deux LED haute luminosité qui s'éteignent automatiquement à la fin du cycle.

### **3.6) Réouverture des lames**

En appuyant à fond sur la gâchette de déblocage (6), on provoque le retour du piston et par conséquent l'ouverture de la lame inférieure.

### **3.7) Utilisation du chargeur de batterie**

Suivre attentivement les instructions indiquées sur le manuel.

## 4. BATTERIE ET CHARGEUR

### Avertissements de sécurité concernant les batteries:



- Protéger les batteries contre l'eau et l'humidité !
- Ne pas exposer les batteries au feu !



- Une batterie défectueuse peut occasionner une fuite de liquide légèrement acide et inflammable !
- En cas de fuite d'acide de batterie et de contact avec la peau, rincer immédiatement et abondamment à l'eau. En cas de projection dans les yeux, les laver à l'eau propre et consulter immédiatement un médecin!



- Une fois les batteries arrivées en fin de vie, toujours les recycler.
- Ne jamais jeter les batteries dans les déchets domestiques, il convient de les remettre aux centres de collecte agréés en vue de leur élimination.

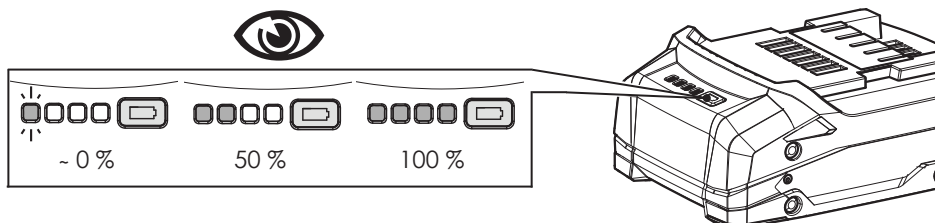
- Ne pas utiliser de batteries défectueuses ou déformées !
- Ne pas ouvrir les batteries !
- Ne pas toucher ni court-circuiter entre eux les contacts d'une batterie.
- Si la machine est défectueuse, retirer la batterie de la machine.
- Pour transporter la machine, enlever la batterie.

L'outil peut être équipé d'une batterie de 2,0 Ah ou de 5,2 Ah:

Batterie rechargeable	type	CB1820L (Li-Ion)	CB1852L (Li-Ion)
Caractéristiques	V / Ah / Wh	18 / 2.0 / 36	18 / 5.2 / 93.6
Poids	kg (lbs)	0,4 (0.9)	0,66 (1.45)

### 4.1) Autonomie de la batterie

- La batterie est équipée d'indicateurs à LED qui permettent de contrôler, à tout moment, son autonomie résiduelle en appuyant sur le bouton:
  - 1 led clignotante: autonomie minimale, remplacer la batterie
  - 2 led allumées: autonomie à 50 %
  - 4 led allumées: autonomie maximale



- Uniquement pour les outils équipés d'un écran, lorsque la batterie est insérée dans l'outil, il est possible de vérifier l'autonomie résiduelle à partir de l'écran en appuyant sur la touche tactile:



**AVIS** L'écran ci-dessous indique que la batterie est déchargée et que sa tension est descendue au-dessous du seuil minimal de sécurité; dans cette situation, l'outil ne démarre pas, il est donc nécessaire de recharger ou de remplacer la batterie.



- Pour remplacer la batterie, la retirer en appuyant sur le mécanisme de déblocage, puis introduire la nouvelle batterie en la faisant coulisser sur les guides jusqu'au blocage complet.

## 4.2) Utilisation du chargeur de batterie

Selon le modèle, l'outil peut être équipé de l'un des chargeurs suivants:

Chargeur de batterie	type	ASC55-EU	ASC55-UK	ASC55-AUS/NZ	ASC55-USA/CA
Alimentation	V / Hz	220 - 240 / 50 - 60			115 / 60
Pouissance	W	85			
Fiche d'alimentation	type	EU - type C	UK - type G	AUS - type I	US - type A

Suivre attentivement les instructions indiquées sur le manuel.

À titre indicatif, le délai de recharge complète de la batterie correspond à:

- environ 40 minutes pour les batteries CB1820L
- environ 100 minutes pour les batteries CB1852L

## 5. ENTRETIEN

**⚠ AVERTISSEMENT** Risque électrique - Retirer la batterie de l'outil avant d'effectuer toute opération d'entretien. Toujours débrancher le chargeur après usage.

**⚠ AVERTISSEMENT** Risque chimique - Ne pas démonter la batterie ou l'outil.

**AVIS** Contacter un centre d'assistance CEMBRE en cas de besoin.

L'outil est robuste, complètement scellé et ne nécessite aucune préoccupation ou attention particulier. Les recommandations qui suivent sont néanmoins souhaitables pour assurer une longévité optimum.

### 5.1) Nettoyage élémentaire

Veiller à protéger l'outil de la poussière, du sable et de la boue qui sont un danger à tout système hydraulique. Chaque jour après utilisation, l'outil doit être nettoyé à l'aide d'un chiffon propre, tout particulièrement aux endroits de pièces mobiles. Ne jamais utiliser d'hydrocarbures pour le nettoyage des parties en caoutchouc.

### 5.2) Rangement

Au repos, pour protéger l'outil des coups accidentels et de la poussière, il convient de le ranger dans le coffret.

### 5.3) Entretien de routine

Lorsqu'on atteint le nombre prédéterminé d'heures de travail, l'outil va signaler la nécessité d'effectuer l'entretien de routine.

**AVIS** Après 15 secondes de l'exécution du dernier cycle, la nécessité de procéder à l'entretien de routine est signalée par allumages intermittents répétés trois fois des LED associé à l'avertisseur sonore. L'outil continue par ailleurs à travailler normalement; mais il est recommandé de le renvoyer à CEMBRE pour une révision complète.

## 6. CHANGEMENT DES LAMES (Voir Fig. 5)

### **⚠ AVERTISSEMENT**

**Risque mécanique - Le changement des lames doit être effectué avec l'outil dépourvu de batterie.**

Il peut arriver qu'une utilisation prolongée ou non appropriée cause la perte d'affûtage des lames ou leur endommagement. Le changement des lames est cependant très simple.

#### **Lame inférieure**

- Déverrouiller le loquet (2) et ouvrir le groupe supérieur, jusqu'à la butée.
- Actionner l'outil pour faire avancer la lame inférieure (4) et enlever la batterie.
- Expulser les goupilles élastiques (12) sur le piston (13) de façon à libérer la lame (4).
- Enlever la vieille lame et introduire la lame neuve sur le piston et la bloquer avec les 2 goupilles élastiques.

### **AVIS**

**Avant de refermer la tête appuyer sur la gâchette de déblocage (6) de façon à ce que la lame inférieure redescende complètement pour éviter qu'elle soit heurtée et endommagée.**

#### **Lame supérieure**

- Déverrouiller le loquet (2) et ouvrir le groupe supérieur, jusqu'à la butée.
- Enlever l'anneau élastique (16), extraire l'axe (14) pour libérer le groupe supérieur de la tête.
- Enlever l'anneau élastique (23), extraire l'axe (15) et dégager le loquet (2).
- Enlever le loquet (2) et récupérer le ressort (24).
- A l'aide d'une clé de "10", enlever les 8 écrous (22) et les rondelles (21).
- Extraire les 4 goujons (18) de façon à libérer la lame (20).
- La remplacer par la neuve, replacer les 4 goujons (18), les rondelles (21) et serrer manuellement les 8 écrous (22); introduire le ressort (24) dans le logement correspondant de l'entretoise (19).
- Remonter le loquet (2) sur le groupe supérieur, serrer les 8 écrous (22) à fond.
- Placer le groupe supérieur, introduire l'axe (14) et le bloquer avec son anneau élastique (16).

# 1. ALLGEMEINE EIGENSCHAFTEN

<b>Anwendungsbereich</b>		Geeignet zum Schneiden von Kupfer- und Aluminiumkabeln, Aldreyseilen, Stahlseilen, Aluminium-Stahl (ACSR) (B-TC250YND: Abspannseile einschließlich EHS, Erdungstangen bis zu 5/8") <b>⚠ Es dürfen keine unter Spannung stehenden Teile geschnitten werden.</b>
Arbeitsdruck	bar (psi)	600 (8700) <b>B-TC250ND</b> 880 (12700) <b>B-TC250YND</b>
Abmessungen	mm (inches)	401x136x81 (15.8x5.4x3.2) <b>B-TC250ND</b> 414x136x81 (16.3x5.4x3.2) <b>B-TC250YND</b>
Max. Schneiddurchmesser	mm (inches)	25 (1)
Gewicht inkl. Akku	kg (lbs)	3,5 (7.7) <b>B-TC250ND</b> 3,7 (8.2) <b>B-TC250YND</b>
Motor	V <sub>---</sub>	18
Betriebstemperatur	°C (°F)	-15 a +50 (+5 a +122)
Empfohlenes Öl		TOTAL DIEKAN 1640 oder ähnliches
Kolbenvorschub		Das Werkzeug ist mit einer Doppelkolbenhydraulik ausgerüstet, die ein schnelles Zusammenfahren der Presseinsätze ermöglicht. Beim Beginn des Pressvorganges wird auf den langsameren Arbeitshub umgeschaltet
Sicherheit:		Überdruckventil
<b>Lagerung</b>	Typ	VAL-P22
Abmessungen	mm (inches)	465x315x116 (18.3x12.4x4.6)
Gewicht	kg (lbs.)	1,5 kg (3.3 lbs.)
<b>Lärmschutzbestimmung <sup>(1)</sup></b>		
L <sub>DA</sub>	dB (A)	68,5
L <sub>pCpeak</sub>	dB (C)	87,3
L <sub>WA</sub>	dB (A)	75,2
<b>Vibrationen <sup>(2)</sup></b>	m/s <sup>2</sup>	a <sub>hw</sub> 1,015

<sup>(1)</sup> Richtlinie 2006/42/EG, Anhang 1, Nummer 1.7.4.2, Buchstabe u

$L_{pA}$  = Stufe konstanter Emissionsschalldruckpegel entsprechend Gewichtung A am Arbeitsplatz.

$L_{pCPeak}$  = maximaler Emissionsschalldruckpegel entsprechend Gewichtung C am Arbeitsplatz.

$L_{WA}$  = Emissionsschalldruckpegel durch das Gerät

<sup>(2)</sup> Die Schwingungen bei der tatsächlichen Verwendung des Werkzeugs können vom angegebenen Gesamtwert abweichen, je nachdem wie das Werkzeug eingesetzt wird und ob Sicherheitsmaßnahmen zum Schutz des Bedieners festgelegt werden müssen, die auf einer Abschätzung der Exposition unter den tatsächlichen Einsatzbedingungen beruhen.

## 2. BESTIMMUNGSGEMÄSSE VERWENDUNG

- Das Gerät ist ein hydraulisches Werkzeug, das ausschließlich zum Schneiden von Leitern, die mit ihrem jeweiligen Querschnitt Punkt 1 „Anwendungsbereich“ angegeben sind, bestimmt ist.
- Jede andere Verwendung wird als unsachgemäß betrachtet. Der Hersteller Lieferant haftet nicht für Schäden, die durch einen unsachgemäßen Gebrauch entstehen, das Risiko trägt allein der Benutzer.
- Das Gerät wurde nach dem aktuellen Stand der Technik und den allgemein anerkannten, sicherheitstechnischen Regeln und Normen hergestellt. Dennoch können bei der Verwendung, eine Verletzungsgefahr für den Anwender oder Dritte sowie Schäden am Gerät und an anderen Sachgütern nicht vollständig ausgeschlossen werden.
- Das Gerät darf nur in technisch einwandfreiem Zustand und bestimmungsgemäß verwendet werden, zudem muss sich der Anwender der Gefahren bewusst sein, sicherheitsbewusst vorgehen und sich an die Bedienungsanleitung halten.
- Zur bestimmungsgemäßen Verwendung gehört auch die Einhaltung der Anweisungen, einschließlich der vom Hersteller angeführten Wartungsempfehlungen/ Normen.

## HAFTUNGSAUSSCHLUSS: PRODUKTE FÜR DEN GEWERBLICHEN GEBRAUCH

Die Produkte von Cembre sind für gewerbliche Anwender (B2B) bestimmt: die Anwendbarkeit der Verbraucherschutzvorschriften, einschließlich der gesetzlichen Gewährleistungsbestimmungen, wird ausdrücklich ausgeschlossen. Alle Informationen zu Verkaufsbedingungen und Produktgarantie finden Sie auf der Website des Herstellers unter [www.cembre.com](http://www.cembre.com).

Der Verkauf von Cembre-Produkten über für Verbraucher zugängliche Kanäle ist ausdrücklich untersagt. Personen, die gegen dieses Verbot verstoßen, übernehmen die gesamte zivil- und strafrechtliche Verantwortung gegenüber Dritten sowie den zuständigen Behörden.

## Definitionen: Sicherheitsrichtlinien

Nachfolgend sind die in diesem Dokument verwendeten Hinweiswörter aufgeführt und erläutert. Diese Hinweiswörter beschreiben die Art, den Schweregrad und die möglichen Folgen, die aus der Nichtbeachtung der Sicherheitsmaßnahmen resultieren können.

### **GEFAHR**

kennzeichnet eine Situation mit unmittelbarer Gefahr, die bei Nichtvermeidung zum Tod oder schweren Verletzungen führt.

### **WARNUNG**

kennzeichnet eine Situation mit möglicher Gefahr, die bei Nichtvermeidung zum Tod oder schweren Verletzungen führen kann.

### **VORSICHT**

kennzeichnet eine Situation mit möglicher Gefahr, die bei Nichtvermeidung zu leichten oder geringfügigen Verletzungen führen kann.

### **ACHTUNG**

kennzeichnet wichtige Informationen oder einzuhaltende Verfahren, die keine Verletzungen verursachen, aber bei Nichtbeachtung zu Sachschäden führen können.

### **WARNUNG**

**Lesen Sie alle mit diesem Gerät gelieferten Sicherheitshinweise, Anweisungen, Erläuterungen und Spezifikationen sorgfältig durch.**

Die Nichtbeachtung dieser Anweisungen kann zu Sachschäden, und/oder schweren Verletzungen führen.

**Bewahren Sie alle Warnhinweise und Anweisungen zum späteren Nachschlagen auf.**

### 3. BEDIENUNGSHINWEISE

Zum Lieferumfang gehören folgende Teile:

- Hydraulisches Akku-Schneidwerkzeug
- 2 wiederaufladbare Li-Ion Akkus
- Ladegerät (entsprechend der Länderkonfiguration)
- Trageriemen
- Koffer
- USB-Kabel

Das Werkzeug kann bequem am Griff oder mit dem Trageriemen, der am Ring befestigt ist, transportiert werden.

DE

**ACHTUNG** Überprüfen Sie vor jedem Arbeitsvorgang den Ladezustand der Akkus (siehe Pkt. "Akkuladung") und laden Sie bei Bedarf die Akkus entsprechend den Anweisungen in der Bedienungsanleitung des Akkuladegerätes auf.

Drücken Sie für den Akkuaustausch auf die Entriegelung (siehe Bild 1) und führen Sie den neuen Akku bis zum Einrasten ein.

#### 3.1) Drehbewegung des Kopfes

Das Werkzeug ist mit einem Kopf ausgerüstet, der drehbar ist und somit ein komfortables Arbeiten ermöglicht.

**ACHTUNG** Der Kopf darf keinesfalls in eine andere Position gedreht werden, während das Werkzeug unter Druck steht.

#### 3.2) Vorbereitung

- Das zu schneidende Seil am gewünschten Schnittpunkt zwischen den Schneidmessern positionieren (siehe Bild 2).

**⚠ WARNUNG** Mechanisches Gefahr – Wenn kurze Abschnitte von Stahl- bzw. Aluminium-Stahl Seilen geschnitten werden, ist es ratsam das Ende mit Isolierband zu fixieren. Damit werden mögliche Verletzungen des Anwenders verhindert.

- Bei durchgehendem Seil wird das Gegenmesser durch Öffnen der Verriegelung (2) zurückgeklappt.

**ACHTUNG** Das Öffnen des Gegenmessers darf nur mit ganz zurückgefahrenem Schneidmesser erfolgen (siehe Pkt. "Zurückfahren des Schneidmessers").

- Das Schneidmesser an das zu schneidende Seil legen. Den Kopf schliessen und die Verriegelung einrasten lassen.

**⚠ WARNUNG** Mechanisches Gefahr – Vor dem Schneiden hat man sich zu vergewissern, daß die Verriegelung einwandfrei eingerastet ist.

### 3.3) Schneidvorgang

- Durch Drücken des Startknopfes (5) (siehe Bild 2) wird der Pumpenmotor gestartet, wobei sich das Schneidmesser dem Seil annähert.
- Das Zusammenfahren der Schneidmesser kann durch Loslassen des Startknopfes (5) gestoppt werden.

**ACHTUNG** Auf diese Weise kann kontrolliert werden, dass sich die Schneidmesser genau auf dem zu schneidenden Punkt befinden. Ist dies nicht der Fall, sind die Schneidmesser zu öffnen (siehe § "Zurückfahren des Schneidmessers") und erneut zu positionieren.

### 3.4) Schneiden

- Halten Sie das Werkzeug fest, durch Drücken des Startknopfes (5) beginnt der Motor zu arbeiten, der Kolben lässt das Schneidmesser nach vorn fahren, bis das Seil vollständig geschnitten worden ist.
- Wenn der Schnitt ausgeführt ist, den Startknopf (5) loslassen.

### 3.5) LED

Während der Betätigung des Werkzeugs wird der Schneidbereich von zwei LED-Arbeitsleuchten mit hoher Helligkeit ausgeleuchtet, die sich am Ende des Zyklus automatisch abschalten.

### 3.6) Zurückfahren des Schneidmessers

Drücken Sie kräftig den Druckablassknopf (6), der sich unterhalb des Startknopfes (5) befindet.

Dadurch fährt der Kolben zurück und das Schneidmesser gibt das Kabel / Seil frei.

### 3.7) Verwendung des Ladegerätes

Die in der Bedienungsanleitung angegebenen Hinweise sind zu beachten.

# 4. AKKU UND LADEGERÄT

## Sicherheitshinweise für Akkus:



- Akkus vor Nässe schützen!
- Akkus von Feuer fernhalten!



- Aus defekten Li-Ion Akkus kann eine leicht saure, brennbare Flüssigkeit austreten!
- Falls Akkufflüssigkeit austritt und mit der Haut in Berührung kommt, spülen Sie sofort mit reichlich Wasser. Falls Akkufflüssigkeit in Ihre Augen gelangt, waschen Sie sie mit sauberem Wasser aus und begeben Sie sich unverzüglich in ärztliche Behandlung!



- Verbrauchte Akkus stets dem Recycling zuführen.
- Verbrauchte Akkus nicht der allgemeinen Abfallentsorgung zuführen.

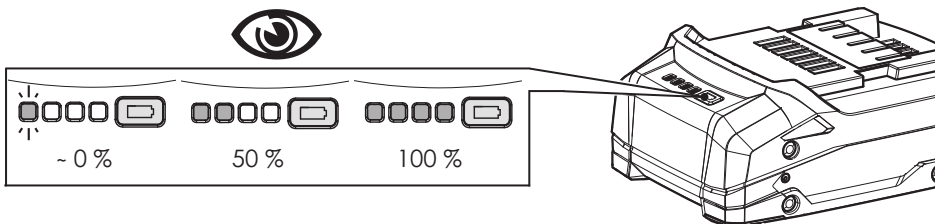
- Keine defekten oder deformierten Akkus verwenden!
- Akkus nicht öffnen!
- Kontakte der Akkus nicht berühren oder kurzschließen!
- Bei einer defekten Maschine, Akku aus der Maschine entnehmen.
- Für den Transport der Maschine, Akku aus der Maschine entnehmen.

Das Gerät kann mit einem 2,0 Ah oder 5,2 Ah Akku ausgestattet werden:

Wiederaufladbarer Akku	Typ	CB1820L (Li-Ion)	CB1852L (Li-Ion)
Eigenschaften	V / Ah / Wh	18 / 2.0 / 36	18 / 5.2 / 93.6
Gewicht	kg (lbs)	0,4 (0.9)	0,66 (1.45)

### 4.1) Akkuladung

- Der Akku ist mit LED-Anzeigen ausgestattet, die jederzeit über die verbleibende Akkuladung Auskunft gibt, indem man auf die Taste drückt:
  - 1 LED blinkend: Minimale Ladung, Akku austauschen bzw. aufladen
  - 2 LED eingeschaltet: Ladung bei 50 %
  - 4 LED eingeschaltet: Maximale Ladung



- Nur bei Werkzeugen die mit einem Display ausgestattet sind, kann bei eingelegtem Akku die verbleibende Akkulaufzeit auch auf dem Display überprüft werden, und zwar über die Auswahl Taste:



**ACHTUNG** Das Display zeigt an, dass die Batteriespannung unter eine minimale Sicherheitsschwelle gesunken ist; unter diesen Bedingungen lässt sich das Werkzeug nicht mehr starten. Laden Sie den Akku auf oder tauschen Sie ihn aus.



- Drücken Sie für den Akkuaustausch auf die Entriegelung und führen Sie den neuen Akku bis zum Einrasten ein.

#### 4.2) Verwendung des Ladegerätes

Je nach Modell kann das Gerät mit einem der folgenden Ladegeräte ausgestattet werden:

Akkuladegerät	Typ	ASC55-EU	ASC55-UK	ASC55-AUS/NZ	ASC55-USA/CA
Spannung	V / Hz	220 - 240 / 50 - 60			115 / 60
Kraft	W	85			
Netzstecker	Typ	EU - Typ C	UK - Typ G	AUS - Typ I	US - Typ A

Die in der Bedienungsanleitung gegebenen Hinweise sind zu beachten.

Ein vollständiger Ladevorgang eines leeren Akkus dauert:

- etwa 40 Minuten für den Akku CB1820L
- etwa 100 Minuten für den Akku CB1852L

## 5. WARTUNG

**⚠️ WARNUNG** Elektrische Gefahr – Entfernen Sie den Akku aus dem Werkzeug, bevor Sie Wartungsarbeiten durchführen. Trennen Sie das Ladegerät nach Gebrauch immer vom Stromnetz.

**⚠️ WARNUNG** Chemische Gefahr – Zerlegen Sie den Akku oder das Werkzeug nicht.

**ACHTUNG** Wenden Sie sich bei Bedarf an ein CEMBRE-Kundendienstzentrum.

Das Werkzeug ist robust und benötigt keine spezielle Pflege.  
Zur Erhaltung der Garantieansprüche beachten Sie folgende Hinweise.

### 5.1) Pflege

Dieses hydraulische Werkzeug sollte vor starker Verschmutzung geschützt werden, da dies für ein hydraulisches System gefährlich ist. Nach jeder täglichen Anwendung sollte das Werkzeug mit einem Tuch von Schmutz und Staub gereinigt werden, besonders die beweglichen Teile. Verwenden Sie keine Kohlenwasserstoffe (z.B. Teilereiniger, Bremsenreiniger) zum Reinigen der Gummitteile.

### 5.2) Lagerung

Wird das Werkzeug nicht benötigt, sollte es in dem Koffer gelagert werden, um es so gegen Beschädigungen wie Stöße und Staub zu schützen.

### 5.3) Wartung

Sobald die vorgegebene Anzahl der maximalen Arbeitsstunden erreicht sind, signalisiert das Werkzeug die damit fällige Wartung.

**ACHTUNG** Das Gerät arbeitet weiter, aber 15 Sekunden nach der Benutzung ertönt ein Alarm mit 3 Pieptönen in Verbindung mit dem Aufleuchten der Arbeitsscheinwerfer, der darauf hinweist, dass das Gerät zur Wartung an CEMBRE geschickt werden sollte.

## 6. SCHNEIDMESSER WECHSELN (siehe Bild 5)

### **⚠️ WARNUNG**

**Mechanisches Gefahr – Der Wechsel der Schneidmesser muss immer mit ausgebautem Akku erfolgen.**

Nach längerem Gebrauch oder nach Anwendungsfehlern kann es zu Abnutzungen Beschädigungen, Unschärfe an den Messern kommen. Bei einem Wechsel sollten Sie wie folgt vorgehen.

### **Schneidmesser**

- Den Kopf durch Betätigung der Verriegelung (2) öffnen.
- Den Motor betätigen und das Schneidmesser (4) nach vorne fahren und entfernen Sie den Akku.
- Die beiden Federstifte (12) vom Kolben (13) entfernen und somit kann das Schneidmesser (4) entnommen werden.
- Anschließend mit der Federstifte das neue Schneidmesser wieder montieren.


### **ACHTUNG**

**Bevor das Gegenmesser wieder geschlossen wird, drücken Sie kräftig den Druckablassknopf (6), so wird sichergestellt dass das Schneidmesser komplett zurückgefahren ist und es nicht zu einer Beschädigung der Schneidmesser kommt.**

### **Gegenmesser**

- Den Kopf durch Betätigung der Verriegelung (2) öffnen.
- Den Federring (16) entfernen und den Bolzen (14) soweit herausziehen, dass der obere Teil des Schneidkopfes abgenommen werden kann.
- Den Federring (23) und Bolzen (15) demontieren, dabei wird die Verriegelung (2) auch entfernt. Die Feder (24) aus ihrem Sitz im Abstandsstück demontieren.
- Die 8-er Muttern (22) mit einem "10"-Schlüssel lösen, die Zugbolzen (18) und Scheiben (21) herausziehen und das Gegenmesser (20) demontieren.
- Das Gegenmesser durch ein neues Messer ersetzen. Anschließend die 4 Zugbolzen (18) und Muttern (22) mit den Scheiben (21) leicht anziehen. Die Feder (24) in ihren Sitz im Abstandsstück (19) montieren.
- Der Verriegelung (2) montieren und die 8-er Muttern (22) fest anziehen.
- Die obere Gruppe auf dem Schneidkopf mit dem Bolzen (14) und Federring (16) montieren.

# 1. CARACTERÍSTICAS GENERALES

<b>Campo de aplicación</b>		idónea para cortar cables y varillas de cobre, aldreya, aluminio, acero y aluminio-acero (ACSR) (B-TC250YND: barra de acoplamiento con EHS, varilla de fierro de hasta 5/8")  <b>No cortar conductores o cables con tensión eléctrica.</b>
Presión de trabajo	bar (psi)	600 (8700) <b>B-TC250ND</b> 880 (12700) <b>B-TC250YND</b>
Dimensiones	mm (inches)	401x136x81 (15.8x5.4x3.2) <b>B-TC250ND</b> 414x136x81 (16.3x5.4x3.2) <b>B-TC250YND</b>
Diámetro max. de corte	mm (inches)	25 (1)
Peso con batería	kg (lbs)	3,5 (7.7) <b>B-TC250ND</b> 3,7 (8.2) <b>B-TC250YND</b>
Motor	V ---	18
Temperatura de funcionamiento	°C (°F)	-15 a +50 (+5 a +122)
Aceite recomendado		TOTAL DIEKAN 1640 ó equivalentes
Velocidad de avance		una rápida de aproximación de las cuchillas al cable y otra más lenta para el corte, el paso de una a otra velocidad es automático
Seguridad		válvula de sobrepresión
<b>Almacenamiento</b>	tipo	VAL-P22
Dimensiones	mm (inches)	465x315x116 (18.3x12.4x4.6)
Peso	kg (lbs.)	1,5 kg (3.3 lbs.)
<b>Ruido aéreo <sup>(1)</sup></b>		
L <sub>pA</sub>	dB (A)	68,5
L <sub>pCPeak</sub>	dB (C)	87,3
L <sub>WA</sub>	dB (A)	75,2
<b>Vibraciones <sup>(2)</sup></b>	m/s <sup>2</sup>	a <sub>hv</sub> 1,015

<sup>(1)</sup> Directiva Europea 2006/42/CE, anexo 1, punto 1.7.4.2, letra u

$L_{pA}$  = nivel de presión acústica continua equivalente ponderado A en el puesto de trabajo.

$L_{pCPeak}$  = valor máximo de la presión acústica instantánea ponderada C en el puesto de trabajo.

$L_{WA}$  = nivel de potencia acústica emitida por la máquina.

<sup>(2)</sup> La emisión de vibración durante el uso efectivo de la herramienta puede no coincidir con el valor total declarado dependiendo del modo en que se utilice la herramienta y de la necesidad de identificar medidas de seguridad para proteger al operador que estén basadas en una estimación de la exposición en las condiciones reales de uso.

## 2. USO CONFORME

- El dispositivo es una herramienta hidráulica destinada exclusivamente a cortar conductores de los tipos y secciones indicados en el punto 1 "Campo de aplicación".
- Cualquier uso diferente se considera inadecuado. El fabricante/proveedor no se hace responsable de los daños derivados de un uso inadecuado; el riesgo corre exclusivamente a cargo del usuario.
- El dispositivo está fabricado de acuerdo con el estado actual de la técnica y las normas y reglas técnicas de seguridad comúnmente reconocidas. No obstante, durante su uso no pueden eliminarse por completo los riesgos para la integridad física y la vida del usuario o de terceros, así como los daños al dispositivo y a otros bienes materiales.
- El dispositivo solo debe utilizarse en perfectas condiciones técnicas, de acuerdo con su finalidad prevista, con la debida conciencia de la seguridad y los peligros y respetando las instrucciones.
- El concepto de uso conforme también incluye el cumplimiento de las instrucciones, incluidas las recomendaciones/normas de mantenimiento facilitadas por el fabricante.

## ADVERTENCIA: PRODUCTOS PARA USO PROFESIONAL

Los productos Cembre están dirigidos a usuarios profesionales (B2B); por tanto, se excluye expresamente la aplicación de normas de protección de los consumidores, incluidas las referentes a las garantías. Para obtener información sobre las condiciones de venta y garantía de los productos, consultar la página web del fabricante [www.cembre.com](http://www.cembre.com).

Está terminantemente prohibido vender productos Cembre a través de canales accesibles a los consumidores. Los empleados que incumplan esta prohibición asumirán todo tipo de responsabilidad civil y penal ante terceros y las autoridades competentes.

## Definiciones: Directrices de seguridad

A continuación se enumeran y se definen las palabras de aviso que se pueden utilizar en el presente documento. Las palabras de señalización indican el tipo, la gravedad y las consecuencias que pueden derivarse del incumplimiento de las medidas de seguridad.

### **⚠ PELIGRO**

indica una situación de riesgo inminente que, si no se evita, causa la muerte o lesiones personales graves.

### **⚠ ADVERTENCIA**

indica una situación de riesgo potencial que, si no se evita, puede causar la muerte o lesiones personales graves.

### **⚠ ATENCIÓN**

indica una situación de riesgo potencial que, si no se evita, podría causar lesiones personales de entidad leve o moderada.

### **AVISO**

indica información importante o procedimientos a seguir que no comportan lesiones personales y que, si no se evitan, pueden provocar daños materiales.

### **⚠ ADVERTENCIA**

**Leer todas las advertencias de seguridad, las instrucciones, las ilustraciones y las especificaciones proporcionadas con esta herramienta.**

El incumplimiento de todas las instrucciones puede provocar daños materiales y/o graves lesiones.

**Conservar todas las advertencias e instrucciones para utilizarlo como referencia en el futuro.**

### 3. INSTRUCCIONES DE USO

La referencia identifica el conjunto formado por:

- Herramienta hidráulica de corte.
- Batería recargable Li-Ion (2 uds).
- Cargador de batería (diferente según el modelo de la herramienta).
- Correa de transporte.
- Caja de plástico para almacenaje.
- Cable USB.

La herramienta puede ser transportada fácilmente por medio del asa o la correa de transporte fijada al anillo.

**AVISO** Antes de iniciar cualquier trabajo, compruebe el estado de carga de las baterías (Ref. al § “Autonomía de la batería”). Si es necesario, recárguelas siguiendo las instrucciones del manual de uso del cargador.

Para sustituir la batería, retírela pulsando el desbloqueo (Ref. a Fig. 1) y luego inserte la nueva batería deslizándola por las guías hasta su tope.

#### 3.1) Rotación de la cabeza

- La cabeza de la herramienta puede rotar respecto al cuerpo, permitiendo al operario realizar el trabajo en la posición más adecuada.

**AVISO** No fuerce la cabeza, intentando rotarla, mientras el circuito hidráulico esté presurizado.

#### 3.2) Preparación

- Colocar el conductor entre las cuchillas de manera que éstas se encuentren en el punto de corte deseado (Ref. a Fig. 2).

**⚠ ADVERTENCIA** Riesgo mecánico - Al cortar piezas cortas de los cables de acero o de aluminio-acero, se recomienda atar o envolver el extremo y el punto de corte con cinta aislante o similar; esto evitará la proyección de fragmentos de acero que podrían causar daños o lesiones personales.

- Si el conductor es pasante, será necesario abrir la cabeza, desenganchando el diente de retención y hacer girar el conjunto superior.

**AVISO** Se puede abrir la cabeza cuando la cuchilla inferior esté completamente retraída.

- Colocar la cuchilla inferior sobre el conductor a cortar, volver a cerrar el grupo superior bloqueándolo con el diente de retención.

**⚠ ADVERTENCIA** Riesgo mecánico - Antes de proceder con la operación de corte, comprobar que el diente de retención esté enganchado perfectamente.

### 3.3) Acercamiento de las cuchillas

- Pulsar el botón de accionamiento (5) (Ref. a Fig. 2) para poner en marcha el grupo motor-bomba; la cuchilla inferior empieza a acercarse al conductor.
- Soltando el botón se detienen inmediatamente tanto el motor como el movimiento de la cuchilla.

#### **AVISO**

**Asegúrese de que la cuchilla se encuentra en correspondencia con la zona a cortar; en caso contrario, vuélvala a abrir siguiendo las instrucciones del punto “Reapertura de las cuchillas” y reposicione.**

### 3.4) Corte

- Sostenga firmemente la herramienta y pulse el botón de accionamiento (5), el motor continúa girando; el pistón hará avanzar progresivamente la cuchilla inferior hasta cortar completamente el conductor.
- Cuando el corte está realizado, soltar el botón (5).

ES

### 3.5) Led

Durante el accionamiento de la herramienta, la zona de trabajo está iluminada por dos led de alta luminosidad que se apagan automáticamente al final del ciclo.

### 3.6) Reapertura de las cuchillas

Para volver a obtener el retorno del pistón, pulsar el botón de desbloqueo (6), se obtendrá el consiguiente retorno de la cuchilla.

### 3.7) Utilización del cargador de batería

Seguir atentamente las instrucciones detalladas en el manual correspondiente.

## 4. BATERÍA Y CARGADOR

### Advertencias de seguridad relativas a las baterías:



- ¡Proteger las baterías del agua y la humedad!
- ¡No exponer las baterías al fuego!



- De las baterías con litio defectuoso puede salir un líquido ligeramente ácido e inflamable!
- En caso que se observe una pérdida de líquido de la batería y éste entre en contacto con la piel, rápidamente aclarar la zona afectada con agua abundante. Si el líquido de la batería entra en contacto con los ojos, aclarar con agua limpia e inmediatamente dirigirse a un médico para recibir tratamiento.



- Al final de su vida, reciclar siempre las baterías.
- No desechar nunca las baterías en la basura doméstica, ya que deben desecharse en los centros de recogida de residuos correspondientes para su correcta eliminación.

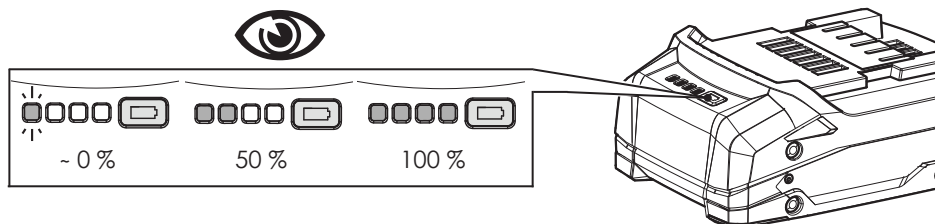
- ¡No utilizar baterías defectuosas o deformadas!
- ¡No abrir las baterías!
- ¡No tocar o poner en cortocircuito los contactos de las baterías!
- Retirar siempre la batería si la maquina está defectuosa.
- Para transportar la maquina retirar la batería.

La herramienta puede equiparse con una batería de 2,0 Ah o 5,2 Ah:

Batería recargable	tipo	CB1820L (Li-Ion)	CB1852L (Li-Ion)
Características	V / Ah / Wh	18 / 2.0 / 36	18 / 5.2 / 93.6
Peso	kg (lbs)	0,4 (0.9)	0,66 (1.45)

### 4.1) Autonomía de la batería

- La batería está provista de indicadores de led que permiten saber la autonomía restante en cualquier momento pulsando el botón:
  - 1 led parpadeante: autonomía mínima, reemplazar la batería
  - 2 led encendidos: autonomía al 50 %
  - 4 led encendidos: autonomía máxima



- Solo para herramientas con pantallas, con la batería en la herramienta, también es posible verificar la autonomía restante en la pantalla, presionando la tecla táctil:



**AVISO** La pantalla que sigue indica que la batería está descargada, y que su tensión está por debajo de un punto mínimo de seguridad; en estas condiciones la herramienta no se inicia, proceda a la recarga o a la sustitución de la batería.



- Para sustituir la batería, retírela pulsando el desbloqueo y luego inserte la nueva batería deslizándola por las guías hasta su tope.

## 4.2) Utilización del cargador de batería

Según el modelo, la herramienta puede equiparse con uno de los siguientes cargadores:

Cargador de batería	tipo	ASC55-EU	ASC55-UK	ASC55-AUS/NZ	ASC55-USA/CA
Alimentación	V / Hz	220 - 240 / 50 - 60			115 / 60
Potencia	W	85			
Enchufe de alimentación	tipo	EU - tipo C	UK - tipo G	AUS - tipo I	US - tipo A

Seguir atentamente las instrucciones detalladas en el manual correspondiente. El tiempo aproximado para recargar completamente una batería descargada es indicativamente de:

- 40 minutos para batería CB1820L
- 100 minutos para batería CB1852L

## 5. MANTENIMIENTO

**⚠ ADVERTENCIA** Riesgo eléctrico - Quitar la batería de la herramienta antes de realizar cualquier operación de mantenimiento. Desconectar siempre el cargador después del uso.

**⚠ ADVERTENCIA** Riesgo químico - No desmontar la batería o la herramienta.

**AVISO** Contactar con un centro de asistencia CEMBRE en caso de necesidad.

Esta herramienta es robusta, completamente precintada y no requiere cuidados especiales. Para obtener un funcionamiento correcto, bastará tener algunas precauciones sencillas.

### 5.1) Limpieza adecuada

Tenga presente que el polvo, la arena y la suciedad en general, representan un peligro para toda herramienta hidráulica. Tras cada día de uso, se debe limpiar la herramienta con un trapo limpio, teniendo cuidado de eliminar la suciedad depositada, especialmente junto a las partes móviles.

No use hidrocarburos para la limpieza de las partes de caucho.

### 5.2) Almacenamiento

Para proteger la herramienta de golpes accidentales y del polvo cuando no se va a utilizar, es conveniente guardarla cerrada en su caja de cierre hermético.

### 5.3) Mantenimiento ordinario

Alcanzado el número predeterminado de horas de trabajo, la herramienta señalará la necesidad de realizar el mantenimiento ordinario.

**AVISO** La herramienta continuará trabajando, sin embargo, en el caso de que 15 segundos después de su último uso suenen 3 beeps en combinación con la iluminación led se recomienda enviar la herramienta a CEMBRE para una revisión completa.

## 6. CAMBIO DE LAS CUCHILLAS (Ref. a Fig. 5)

**⚠ ADVERTENCIA** Riesgo mecánico - El cambio de las cuchillas debe ser efectuado con la herramienta sin batería.

Puede suceder que las cuchillas se estropeen tras un uso prolongado o impropio. Para efectuar el cambio de las cuchillas, actúe como sigue:

### Cuchilla inferior

- Abrir la cabeza desenganchando el diente de retención (2) y hacer girar completamente el conjunto superior hasta el tope.
- Accionar el motor haciendo avanzar la cuchilla inferior (4) y quitar la batería.
- Sacar los dos pasadores elásticos (12) en el pistón (13) y soltar así la cuchilla (4).
- Sacar la cuchilla vieja, colocar la nueva en el pistón y sujetarla con los dos pasadores elásticos.

**AVISO** Antes de volver a cerrar el conjunto superior, actuar sobre el botón de desbloqueo (6) haciendo retroceder completamente la cuchilla; en caso contrario, el conjunto superior podría chocar contra la arista de la cuchilla inferior y estropearla.

### Cuchilla superior

- Abrir la cabeza desenganchando el diente de retención (2) y girarla completamente.
- Quitar el aro (16), extraer el pasador (14) para soltar completamente el conjunto superior.
- Quitar el aro (23), extraer el pasador (15) para soltar el diente de retención (2).
- Separar el diente de retención (2) y recuperar el muelle (24).
- Con una llave del "10", quitar las 8 tuercas (22) y extraer las arandelas (21)
- Quitar los 4 espárragos (18) de manera que se suelte la cuchilla superior (20).
- Reemplazarla con la nueva, colocar los 4 espárragos (18), las arandelas (21) y apretar a mano las 8 tuercas (22); insertar el muelle (24) en su alojamiento del distanciador (19).
- Montar el diente de retención (2) y apretar a fondo las 8 tuercas (22).
- Colocar el grupo superior, insertar a fondo el pasador (14) y sujetarlo con el aro (16).

ES

# 1. CARATTERISTICHE GENERALI

<b>Campo di applicazione</b>		adatto al taglio di conduttori, funi e tondi in rame, alluminio, aldreyl, acciaio e alluminio-acciaio (ACSR) (B-TC250YND: tirante con EHS, picchetto di terra fino a 5/8") <b>⚠ Non tagliare conduttori o corde sotto tensione elettrica.</b>
Pressione di esercizio	bar (psi)	600 (8700) <b>B-TC250ND</b> 880 (12700) <b>B-TC250YND</b>
Dimensioni	mm (inches)	401x136x81 (15.8x5.4x3.2) <b>B-TC250ND</b> 414x136x81 (16.3x5.4x3.2) <b>B-TC250YND</b>
Diametro max. di taglio	mm (inches)	25 (1)
Peso con batteria	kg (lbs)	3,5 (7.7) <b>B-TC250ND</b> 3,7 (8.2) <b>B-TC250YND</b>
Motore	V ---	18
Temperatura di utilizzo	°C (°F)	-15 a +50 (+5 a +122)
Olio consigliato		TOTAL DIEKAN 1640 o equivalenti
Velocità di avanzamento		sono due, una rapida ed una più lenta di lavoro. La commutazione da una all'altra è automatica
Sicurezza		valvola di massima pressione
<b>Custodia</b>	tipo	VAL-P22
Dimensioni	mm (inches)	465x315x116 (18.3x12.4x4.6)
Peso	kg (lbs.)	1,5 kg (3.3 lbs.)
<b>Rumore aereo <sup>(1)</sup></b>		
L <sub>pA</sub>	dB (A)	68,5
L <sub>pCPeak</sub>	dB (C)	87,3
L <sub>WA</sub>	dB (A)	75,2
<b>Vibrazioni <sup>(2)</sup></b>	m/s <sup>2</sup>	a <sub>hv</sub> 1,015

<sup>(1)</sup> Direttiva Europea 2006/42/CE, allegato 1, punto 1.7.4.2, lettera u

$L_{pA}$  = livello di pressione acustica continuo equivalente ponderato A nel posto di lavoro.

$L_{pCPeak}$  = valore massimo della pressione acustica istantanea ponderata C nel posto di lavoro.

$L_{WA}$  = livello di potenza acustica emessa dalla macchina.

<sup>(2)</sup> L'emissione di vibrazioni durante l'utilizzo effettivo dell'utensile può variare rispetto al valore totale dichiarato a seconda della modalità d'uso e della necessità di stabilire misure di sicurezza per proteggere l'operatore basandosi su una stima del grado di esposizione nelle effettive condizioni d'uso. La valutazione del grado di esposizione viene eseguita tenendo conto di tutte le fasi del ciclo operativo, compresi i momenti in cui l'utensile è spento oppure al minimo, oltre ai tempi di attivazione effettivi.

## 2. USO CONFORME

- Il dispositivo è un utensile oleodinamico destinato esclusivamente ad eseguire il taglio di conduttori di natura e sezione definiti al § 1 "Campo di applicazione".
- Ogni altro utilizzo oltre a questo è considerato improprio. Il produttore/fornitore non risponde dei danni derivanti da un uso improprio; il rischio è esclusivamente a carico dell'utente.
- Il dispositivo è stato prodotto secondo lo stato dell'arte attuale e le regole e norme tecniche di sicurezza comunemente riconosciute. Ciononostante, durante il suo utilizzo non è possibile escludere completamente i rischi per l'incolumità fisica e la vita dell'utente o di terze persone, nonché i danni al dispositivo e ad altri beni materiali.
- Il dispositivo può essere utilizzato solo in perfette condizioni tecniche, conformemente allo scopo previsto, con la giusta consapevolezza della sicurezza e dei pericoli e nel rispetto delle istruzioni.
- Il concetto di uso conforme comprende anche l'osservanza delle istruzioni, incluse le raccomandazioni/norme per la manutenzione fornite dal produttore.

## DISCLAIMER: PRODOTTI DESTINATI AD UTILIZZO PROFESSIONALE

I prodotti Cembre sono destinati ad utilizzatori professionali (B2B): l'applicabilità delle norme di tutela rivolte ai consumatori, ivi incluse quelle relative alla garanzia, è espressamente esclusa. Per ogni informazione relativa alle condizioni di vendita e di garanzia dei prodotti fare riferimento al sito del fabbricante [www.cembre.com](http://www.cembre.com). La vendita dei prodotti Cembre attraverso canali accessibili a consumatori è espressamente vietata e i soggetti che contravvengano a tale divieto si assumeranno ogni responsabilità civile e penale nei confronti dei terzi e delle autorità competenti.

## Definizioni: Linee guida di sicurezza

Di seguito sono elencate e definite le parole di segnalazione che possono essere utilizzate nel presente documento. Le parole di segnalazione indicano il tipo, la gravità e le conseguenze che possono derivare dalla non osservanza delle misure di sicurezza.

### **PERICOLO**

indica una situazione di rischio imminente che, se non evitata, causa morte o lesioni personali gravi.

### **AVVERTENZA**

indica una situazione di rischio potenziale che, se non evitata, può causare morte o lesioni personali gravi.

### **ATTENZIONE**

indica una situazione di rischio potenziale che, se non evitata, potrebbe causare lesioni personali di minore o modesta entità.

### **AVVISO**

indica informazioni importanti o procedure da seguire che non comportano lesioni personali che, se non evitate, possono provocare danni materiali.

### **AVVERTENZA** **Leggere tutte le avvertenze di sicurezza, le istruzioni, le illustrazioni e le specifiche fornite con questo utensile.**

La mancata osservanza di tutte le istruzioni può provocare danni materiali e/o lesioni gravi.

**Conservare tutte le avvertenze e le istruzioni fornite con l'utensile per riferimenti futuri.**

### 3. ISTRUZIONI PER L'USO

La fornitura comprende:

- Utensile oleodinamico da taglio.
- Batteria ricaricabile Li-Ion (2 pz).
- Caricabatterie (differente in base alla versione dell'utensile).
- Tracolla.
- Valigetta di contenimento.
- Cavo USB.

L'utensile può essere trasportato agevolmente tramite l'impugnatura o la tracolla fissata all'anello.

**AVVISO** Prima di iniziare qualsiasi lavoro, verificare lo stato di carica delle batterie (Rif. al § "Autonomia della batteria") se necessario ricaricarle seguendo le istruzioni riportate nel manuale d'uso del caricabatterie.

IT

Per sostituire la batteria sfilarla premendo il pulsante di sblocco (Rif. a Fig. 1), quindi inserire la nuova facendola scorrere nelle guide, fino al suo blocco.

#### 3.1) Rotazione della testa

- La testa dell'utensile può ruotare rispetto al corpo, permettendo così all'operatore di eseguire il lavoro nella posizione più agevole.

**AVVISO** Non ruotare la testa forzandola quando l'utensile è in pressione.

#### 3.2) Preparazione

- Posizionare il conduttore tra le lame in modo che queste si trovino in corrispondenza col punto di taglio desiderato (Rif. a Fig. 2).

**AVVERTENZA** Rischio meccanico - Tagliando spezzoni corti di funi o d'acciaio o alluminio-acciaio, è consigliabile legare oppure avvolgere l'estremità e il punto di taglio con del nastro isolante; ciò limiterà la proiezione di schegge d'acciaio che potrebbero causare danni o lesioni all'operatore.

- Nel caso di conduttore passante, sganciare il dente di arresto e aprire la testa ruotandola.

**AVVISO** L'apertura della testa può essere effettuata solamente con lama inferiore completamente retratta (Rif. al § "Riapertura delle lame").

- Appoggiare la lama inferiore sul conduttore da tagliare, richiudere la testa bloccandola col dente di arresto.

**AVVERTENZA** Rischio meccanico - Prima di procedere con l'operazione di taglio assicurarsi che il dente di arresto sia perfettamente agganciato.

### 3.3) Accostamento delle lame

- Premere il pulsante di azionamento (5) (Rif. a Fig. 2) per avviare il gruppo motore-pompa, inizierà così l'avvicinamento della lama inferiore al conduttore.
- Per ottenere l'immediato arresto sia del motore che del movimento della lama, rilasciare il pulsante di azionamento.

**AVVISO** Assicurarsi che la lama si trovi esattamente in corrispondenza con il punto di taglio; in caso contrario riapirla seguendo le istruzioni al § "Riapertura delle lame" e riposizionarla.

### 3.4) Taglio

- Mantenere l'utensile ben saldo e premere il pulsante di azionamento (5) per avviare il motore, la lama inferiore avanzerà progressivamente fino al completo taglio del conduttore.
- A tranciatura avvenuta, rilasciare il pulsante di azionamento (5).

### 3.5) Led

Durante l'azionamento dell'utensile, la zona di lavoro è illuminata da due led ad alta luminosità che si spengono automaticamente a fine ciclo.

### 3.6) Riapertura delle lame

Premere a fondo il pulsante di rilascio (6) per ottenere il ritorno del pistone e il conseguente arretramento della lama inferiore.

### 3.7) Utilizzo del caricabatterie

Seguire attentamente le istruzioni dettagliate sul relativo manuale d'uso.

## 4. BATTERIA E CARICABATTERIE

### Avvertenze di sicurezza riguardanti le batterie:



- Proteggere le batterie dall'acqua e dall'umidità!
- Non esporre le batterie al fuoco!



- Dalle batterie al litio difettose può fuoriuscire un liquido leggermente acido e infiammabile!
- Nel caso in cui si verifichi una perdita di liquido dalla batteria e questo entri in contatto con la pelle, risciacquare subito ed abbondantemente con acqua. Se il liquido della batteria dovesse entrare in contatto con gli occhi, risciacquare con acqua pulita ed affidarsi immediatamente alle cure di un medico.



- A fine vita, riciclare sempre le batterie.
- Mai gettare le batterie nei rifiuti domestici; devono essere conferite agli appositi centri di raccolta per il loro smaltimento.

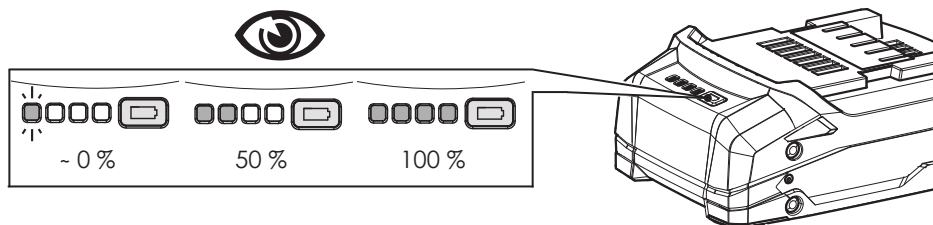
- Non utilizzare batterie difettose o deformate!
- Non aprire le batterie!
- Non toccare o mettere in cortocircuito i contatti delle batterie!
- In caso di guasto al dispositivo, rimuovere la batteria.
- Durante il trasporto del dispositivo rimuovere la batteria.

L'utensile può essere equipaggiato con batteria da 2.0 Ah o 5.2 Ah:

Batteria ricaricabile	tipo	CB1820L (Li-Ion)	CB1852L (Li-Ion)
Caratteristiche	V / Ah / Wh	18 / 2.0 / 36	18 / 5.2 / 93.6
Peso	kg (lbs)	0,4 (0.9)	0,66 (1.45)

### 4.1) Autonomia della batteria

- La batteria è provvista di indicatori a led che consentono di conoscerne l'autonomia residua in qualsiasi momento, premendo il pulsante adiacente:
  - 1 led lampeggiante: minima autonomia, batteria da ricaricare.
  - 2 led accesi: autonomia al 50 %
  - 4 led accesi: massima autonomia



- Solo per utensili provvisti di display, con batteria inserita nell'utensile è possibile verificare l'autonomia residua anche sul display, agendo sul pulsante a sfioramento:



**AVVISO** La schermata di seguito indica che la batteria è scarica e che la sua tensione è scesa sotto una soglia minima di sicurezza; in queste condizioni l'utensile non si avvia, procedere quindi alla ricarica o sostituire la batteria.



- Per sostituire la batteria sfilarla premendo lo sblocco, quindi inserire la nuova facendola scorrere nelle guide fino al suo bloccaggio.

## 4.2) Utilizzo del caricabatterie

A seconda del modello, l'utensile può essere equipaggiato con uno dei seguenti caricabatteria:

Caricabatteria	tipo	ASC55-EU	ASC55-UK	ASC55-AUS/NZ	ASC55-USA/CA
Ingresso	V / Hz	220 - 240 / 50 - 60			115 / 60
Potenza	W	85			
Spina alimentazione	tipo	EU - tipo C	UK - tipo G	AUS - tipo I	US - tipo A

Seguire attentamente le istruzioni dettagliate sul relativo manuale d'uso.

Indicativamente il tempo per ricaricare completamente una batteria scarica è:

- 40 min per batterie CB1820L
- 100 min per batterie CB1852L

## 5. MANUTENZIONE

**⚠ AVVERTENZA** Rischio elettrico - Rimuovere la batteria dall'utensile prima di eseguire qualsiasi operazione di manutenzione. Scollegare sempre il caricabatteria dopo l'uso.

**⚠ AVVERTENZA** Rischio chimico – Non smontare la batteria o l'utensile.

**AVVISO** Contattare un centro assistenza CEMBRE in caso di necessità.

L'utensile è robusto, completamente sigillato e non richiede attenzioni particolari per ottenere un corretto funzionamento basterà osservare alcune semplici precauzioni.

### 5.1) Accurata pulizia

Tenere presente che la polvere, la sabbia e lo sporco rappresentano un pericolo per ogni apparecchiatura oleodinamica. Dopo ogni giorno d'uso si deve ripulire l'utensile con uno straccio pulito, avendo cura di eliminare lo sporco depositatosi su di esso, specialmente vicino alle parti mobili.

Non usare idrocarburi per la pulizia delle parti in gomma.

### 5.2) Custodia

Per proteggere l'utensile da urti accidentali e dalla polvere, è bene riporlo quando non utilizzato nell'apposita custodia accuratamente chiusa.

### 5.3) Manutenzione ordinaria

Raggiunto il numero di ore di lavoro prestabilite, l'utensile segnalerà la necessità di effettuare la manutenzione ordinaria.

**AVVISO** Dopo 15 sec. dall'esecuzione dell'ultimo ciclo, la necessità di effettuare la manutenzione ordinaria viene segnalata dall'accensione intermittente ripetuta tre volte dei led e da un contemporaneo avviso acustico. L'utensile continuerà a funzionare normalmente, se ne consiglia l'invio a CEMBRE per una revisione completa.

## 6. CAMBIO DELLE LAME (Rif. a Fig. 5)

**⚠ AVVERTENZA** **Rischio meccanico - Il cambio delle lame deve essere effettuato con utensile privo di batteria.**

Può accadere che, per uso prolungato o improprio, le lame perdano il filo oppure si danneggino. La sostituzione delle lame vecchie con le nuove é semplice:

### Lama inferiore

- Sganciare il dente di arresto (2) e far ruotare il complesso superiore, completamente fino alla battuta.
- Azionare l'utensile facendo avanzare la lama inferiore (4) quindi togliere la batteria.
- Espellere le due spine elastiche (12) dal pistone (13), liberando così la lama (4).
- Togliere la lama danneggiata, inserirvi la nuova bloccandola con le due spine elastiche.

**AVVISO** **Prima di richiudere la testa, premere il pulsante di rilascio (6) facendo arretrare completamente la lama inferiore; in caso contrario il complesso superiore potrebbe urtare contro lo spigolo della lama inferiore e danneggiarla.**

### Lama superiore

- Sganciare il dente di arresto (2) e ruotare il complesso superiore completamente fino alla battuta.
- Togliere l'anello elastico (16), sfilare il perno (14) per liberare il complesso superiore.
- Togliere l'anello elastico (23) e sfilare il perno (15) per liberare il dente di arresto (2).
- Togliere il dente di arresto (2) e recuperare la molla (24).
- Con una chiave fissa da "10" togliere gli 8 dadi (22) le relative molle a tazza (21).
- Sfilare i 4 tiranti (18) liberando così la lama danneggiata (20).
- Sostituirla con la nuova, inserire i 4 tiranti (18) con le molle a tazza (21), serrare a mano gli 8 dadi (22); introdurre la molla (24) nell'apposita sede del distanziale (19).
- Rimontare il dente di arresto (2) e serrare a fondo gli 8 dadi (22).
- Riposizionare il complesso superiore, inserire il perno (14) bloccandolo con l'anello elastico (16).

## **CONNECTION TO COMPUTER (SMARTOOL TECHNOLOGY)**

The memory card integrated in the tool records operating data for transfer via the USB cable supplied.

To view and manage this data, go to [www.cembre.com](http://www.cembre.com) and register in the dedicated area, then download the free CEMBRE software CEM\_SWBT01.

Keeping the Firmware of the tool updated, via free of charge download from here, will optimise the tool's performance.

## **CONNEXION A L'ORDINATEUR (SMARTOOL TECHNOLOGY)**

La carte mémoire intégrée dans l'outil permet d'enregistrer les paramètres de fonctionnement et de pouvoir les transférer vers un ordinateur par l'intermédiaire du câble USB fourni. Pour visualiser et gérer les données mémorisées, le logiciel CEMBRE CEM\_SWBT01 est disponible gratuitement après enregistrement dans le domaine réservé du site [www.cembre.com](http://www.cembre.com). Dans ce domaine réservé, il sera alors possible de trouver les mises à jour éventuelles des firmwares permettant à vos propres outils une meilleure efficacité et d'améliorer leurs performances.

## **ANSCHLUSS AN EINEN COMPUTER (SMARTOOL TECHNOLOGY)**

Der im Werkzeug integrierte Speicher ermöglicht es, Betriebsparameter zu erfassen und über das mitgelieferte USB-Kabel auf einen Computer zu übertragen. Zur Datenübertragung und -verwaltung laden Sie nach Registrierung auf [www.cembre.com](http://www.cembre.com) die CEMBRE-Software CEM\_SWBT01 herunter. Dort finden Sie auch mögliche Firmware-Updates für die Elektronikplatine des Werkzeugs, um Leistung und Effizienz optimal zu gewährleisten.

## **CONEXIÓN AL ORDENADOR (SMARTOOL TECHNOLOGY)**

La tarjeta de memoria de la herramienta permite grabar los parámetros de funcionamiento y mediante el cable USB suministrado, pasarlos a un ordenador. Para visualizar y gestionar los datos en la tarjeta es necesario utilizar el software CEMBRE CEM\_SWBT01, que se encuentra de forma gratuita en la área reservada de la página web [www.cembre.com](http://www.cembre.com). después la inscripción. En la misma área se pueden encontrar también las actualizaciones del firmware de la tarjeta electrónica, para garantizar el mejor rendimiento de la herramienta obteniendo la máxima eficiencia.

## **COLLEGAMENTO AL COMPUTER (SMARTOOL TECHNOLOGY)**

La scheda di memoria integrata nell'utensile permette di registrare i parametri relativi al funzionamento dell'utensile e di poterli trasferire successivamente ad un computer con il cavo USB fornito in dotazione. Per visionare e gestire i dati della scheda, è necessario il software CEMBRE CEM\_SWBT01 disponibile gratuitamente nell'area dedicata del sito [www.cembre.com](http://www.cembre.com) previa registrazione.

In detta area si possono trovare anche eventuali aggiornamenti firmware della scheda elettronica per ottenere dal proprio utensile la massima efficienza, garantendone le migliori prestazioni.

## **RETURN TO CEMBRE FOR OVERHAUL**

For all maintenance or repair requests, please fill out the form available at [www.cembre.com](http://www.cembre.com) on the product page or at the following link:

<https://my.cembre.com/login> (subject to prior registration).

For any other needs, please contact your local distributor or Sales Engineer who will advise you and provide the necessary instructions for returning the product to our warehouse.

## **ENVOI EN REVISION A CEMBRE**

Pour toute demande d'entretien ou de réparation, veuillez remplir le formulaire disponible à l'adresse [www.cembre.com](http://www.cembre.com) sur la page dédiée au produit ou, après inscription, sur le lien suivant: <https://my.cembre.com/login>.

Pour tout autre besoin, n'hésitez pas à contacter votre représentant ou votre agent local qui vous conseillera et vous fournira les instructions nécessaires pour envoyer le produit à notre centre de retour.

## **EINSENDUNG AN CEMBRE ZUR ÜBERPRÜFUNG**

Für Wartungs- oder Reparaturanfragen füllen Sie bitte das entsprechende Formular aus, das Sie auf der Produktseite unter [www.cembre.com](http://www.cembre.com) oder nach Registrierung direkt unter folgendem Link finden: <https://my.cembre.com/login>. Bei sonstigen Anliegen wenden Sie sich bitte an Ihren Händler oder örtlichen Vertreter. Dieser berät Sie gerne und stellt Ihnen die notwendigen Informationen zur Einsendung des Produkts zur Verfügung.

## **DEVOLUCION A CEMBRE PARA REVISIONES**

Para cualquier solicitud de mantenimiento o reparación, rellenar el formulario disponible en [www.cembre.com](http://www.cembre.com) en la página referente al producto o, con registro previo, en el siguiente enlace: <https://my.cembre.com/login>.

Para cualquier consulta, contactar con el departamento comercial o con el agente de la zona, que le facilitará las instrucciones necesarias para el envío del producto a nuestras instalaciones.

## **INVIO A CEMBRE PER REVISIONE**

Per qualsiasi richiesta di manutenzione o riparazione compilare il form disponibile su [www.cembre.com](http://www.cembre.com) nella pagina dedicata al prodotto oppure, previa registrazione, al seguente link: <https://my.cembre.com/login>.

Per ulteriori necessità, contattare il rivenditore di fiducia o l'agente di zona che vi consiglieranno e forniranno le istruzioni necessarie per l'invio del prodotto alla nostra sede.

## 7. CUTTING RANGE - CAPACITE DE COUPE - SCHNEIDBEREICH CAPACIDAD DE CORTE - CAPACITÀ DI TAGLIO

	MATERIAL MATIERE WERKSTOFF MATERIAL MATERIALE	TENSILE STRENGTH CHARGE DE RUPTURE A LA TRACTION ZUGFESTIGKEIT CARGA DE ROTURA CARICO DI ROTTURA A TRAZIONE (daN/mm <sup>2</sup> )   (lbs/sq.in.)		MAX CUTTING DIAMETER DIAMETRE EXTERIEUR MAX. SECTIONNABLE MAX SCHNEIDDURCHMESSER DIAMETRO MAX DE CORTE DIAMETRO ESTERNO MAX TAGLIABILE (mm)   (inches)	
ROPES & CONDUCTORS CABLE CABLES Y CONDUCTORES FUNE  SEILE & LEITER	Copper Cuivre Kupfer Cobre Rame	≤41	≤59,450	25	1
	Aluminium Aluminio Alluminio	≤20	≤29,000	25	1
	Almelec Almelec Alu-Legierung Almelec Aldrey	≤34	≤49,300	25	1
	Steel Acier Stahl Acero Acciaio	≤180	≤261,000	(*) 7 x 3,0 : ø = 9,0 mm 19 x 2,1 : ø = 10,5 mm 19 x 2,3 : ø = 11,5 mm	(*) 7 x 0.118 = ø 0.354 19 x 0.083 = ø 0.413 19 x 0.091 = ø 0.453
	Multi strands Steel (strands qty. ≥ 200) Acier extra-souple (≥ 200 brins) Mehrdrähtiger Stahl (Draht ≥ 200) Acero flex (≥ 200 Hilos) Acciaio extraflex (N° fili elem# 200)	≤180	≤261,000	18	0.709
	ACSR Aluminium-Acier Aluminium-Stahl Aluminio-Acero Alluminio-Acciaio	≤180	≤261,000	25 (*) 26 x 2,50 + 7 x 1,95 : ø = 15,85 26 x 3,06 + 7 x 2,38 : ø = 19,38 26 x 3,60 + 7 x 2,80 : ø = 22,80	1 (*) 26 x 0.098 + 7 x 0.077 : ø 0.624 26 x 0.120 + 7 x 0.094 : ø 0.723 26 x 0.142 + 7 x 0.110 : ø 0.897
RODS ROND MASSIF STANGEN VARILLAS TONDO	Steel Acier Stahl Acero Acciaio	≤60	≤87,000	13	0.511
		≤42	≤60,900	16	0.629
	Copper Cuivre Kupfer Cobre Rame	≤30	≤43,000	20	0.787
		≤25	≤36,250	23	0.905
	Aluminium Aluminio Alluminio	≤16	≤23,200	25	1

(\*) TYPICAL EXAMPLES

ALGUNOS EJEMPLOS INDICATIVOS

A TITRE D'EXEMPLES

ESEMPLI INDICATIVI

EINIGE BEDEUTENDE ANWENDUNGEN



**DECLARATION OF CONFORMITY -  
DECLARATION DE CONFORMITE - KONFORMITÄTSERKLÄRUNG -  
DECLARACIÓN DE CONFORMIDAD - DICHIARAZIONE DI CONFORMITÀ**

We Nous Wir Nos Noi: **CEMBRE S.p.A. Via Serenissima, 9 – 25135 Brescia (Italy)**

Declare under our sole responsibility that the product - *Déclarons sous notre seule responsabilité que le produit*

- Erklären in alleiniger Verantwortung dass das Produkt - *Declaramos bajo nuestra responsabilidad que el producto*

- Dichiariamo sotto nostra unica responsabilità che il prodotto:

**B-TC250ND B-TC250NDA B-TC250NDE  
B-TC250YND B-TC250YNDA B-TC250YNDE**

To which this declaration relates is in conformity with the following standard(s) or other normative document(s) -

*Auquel cette déclaration se réfère est conforme à la (aux) norme(s) ou autre(s) document(s) normatif(s) -*

Auf dass sich diese Erklärung bezieht, mit der/den folgenden Norm(en) oder dem/den normativen Dokument(en)

über einstimmt - *Al que se refiere esta declaración, cumple la(s) norma(s) u otro(s) documento(s) normativo(s) -*

Al quale si riferisce questa dichiarazione è conforme alla(e) norma(e) o altro(i) documento(i) normativo(i):

**EN ISO 12100 EN ISO 3744 EN ISO 11202  
EN ISO 5349-1 EN ISO 5349-2 EN55014-1/A11 EN 55014-2**

Following the provisions of EU directive(s) - *Conformément aux dispositions de(s) directive(s) EU -*

Gemäß den Bestimmungen der EU Richtlinien - *De acuerdo con las disposiciones de la(s) directiva(s) EU*

Conformemente alle disposizioni della(e) direttiva(e) EU:

**2006/42/EC 2011/65/EU 2014/30/EU**

Person authorised to compile the technical file - *Personne autorisée à constituer le dossier technique -*

Person die bevollmächtigt ist, die technischen Unterlagen zusammenzustellen -

*Persona facultada para elaborar el expediente técnico - Persona autorizzata a costituire il file tecnico:*

**Gianluca Cama via Serenissima, 9 – 25135 Brescia (Italy)**

Brescia **22-01-2025**



**CEMBRE**

Felice Albertazzi

CHIEF SALES & MARKETING OFFICER

Cembre S.p.A.



**DECLARATION OF CONFORMITY**

We: **CEMBRE S.p.A. Via Serenissima, 9 – 25135 Brescia (Italy)**

Declare under our sole responsibility that the product:

**B-TC250ND B-TC250NDA B-TC250NDE  
B-TC250YND B-TC250YNDA B-TC250YNDE**

To which this declaration relates is in conformity with the following standard(s) or other normative document(s):

**EN ISO 12100 EN ISO 3744 EN ISO 11202  
EN ISO 5349-1 EN ISO 5349-2 EN55014-1/A11 EN 55014-2**

Following the provisions of the UK Legislation(s):

**S.I. 2008/1597 S.I. 2012/3032 S.I. 2016/1091**

Brescia **22-01-2025**



**CEMBRE**

Felice Albertazzi

CHIEF SALES & MARKETING OFFICER

Cembre S.p.A.

**NOTE**

**NOTE**

**NOTE**



[www.cembre.com](http://www.cembre.com)

**CEMBRE S.p.A.**  
via Serenissima, 9  
25135 Brescia  
Italy  
Ph +39 030 36921  
[ufficio.vendite@cembre.com](mailto:ufficio.vendite@cembre.com)  
[sales@cembre.com](mailto:sales@cembre.com)

**CEMBRE Ltd.**  
Dunton Park, Kingsbury R.  
Curdworth, Sutton Coldfield,  
West Midlands, B76 9EB  
United Kingdom  
Ph +44 01675 470440  
[sales@cembre.co.uk](mailto:sales@cembre.co.uk)

**CEMBRE IE**  
Unit 9, Airport Trade Park  
Santry, co. Dublin Ireland  
[sales@cembre.ie](mailto:sales@cembre.ie)

**CEMBRE S.A.R.L.**  
Tour Part-Dieu  
129 rue Servient  
69003 Lyon  
France  
Tél. +33 04 20 93 01 70  
[info@cembre.fr](mailto:info@cembre.fr)

**CEMBRE, S.L.U.**  
Calle Verano 6 y 8  
Pl Las Morjas  
28850 Torrejón de Ardoz  
Madrid - Spain  
Ph +34 91 4852580  
[comercial@cembre.com](mailto:comercial@cembre.com)

**CEMBRE GmbH**  
Geschäftsbereich Energie- und Bahntechnik  
Heidemannstr. 166  
80939 München - Germany  
Ph + 49 89-3580676 [info@cembre.de](mailto:info@cembre.de)  
Geschäftsbereich Industrie und Handel  
Boschstraße 7  
71384 Weinstadt - Germany  
Ph +49 7151-20536-60 [info-w@cembre.de](mailto:info-w@cembre.de)

**CEMBRE B.V.**  
Luchthavenweg 53  
5657EA Eindhoven  
The Netherlands  
Ph +31 (0) 40 311 1937  
[info@cembrenl](mailto:info@cembrenl)

**CEMBRE, INC.**  
Raritan Center Business Park  
300 Columbus Circle-Suite F  
Edison, NJ 08837 USA  
Ph +1 (732) 225-7415  
[sales.us@cembre.com](mailto:sales.us@cembre.com)

**Cembre Electrical  
Connections Shanghai  
Limited**  
Room 2111,  
Jin Hang Mansion, NO.83  
Wan Hang Du Road  
Jing An District  
Shanghai China  
Ph +86-2160195778  
[info@cembre.cn](mailto:info@cembre.cn)  
[sales@cembre.cn](mailto:sales@cembre.cn)



This manual is the property of CEMBRE: any reproduction is forbidden without written permission.  
Ce manuel est la propriété de CEMBRE: toute reproduction est interdite sauf autorisation écrite.  
Diese Bedienungsanleitung ist Eigentum der Firma CEMBRE.  
Ohne vorherige schriftliche Genehmigung darf die Bedienungsanleitung weder vollständig noch teilweise vervielfältigt werden.  
Este manual es propiedad de CEMBRE. Toda reproducción está prohibida sin autorización escrita.  
Questo manuale è proprietà di CEMBRE: ogni riproduzione è vietata se non autorizzata per scritto.