

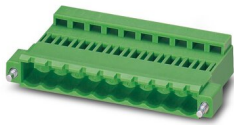
ICC 2,5/ 4-STZF-5,08 - PCB connector



1823406

<https://www.phoenixcontact.com/in/products/1823406>

Please be informed that the data shown in this PDF document is generated from our Online Catalog. Please find the complete data in the user documentation. Our General Terms of Use for Downloads are valid.



PCB connector, nominal cross section: 2.5 mm², color: green, nominal current: 12 A, rated voltage (III/2): 320 V, type of contact: Pin, number of potentials: 4, number of rows: 1, number of positions: 4, number of connections: 4, product range: ICC 2,5/..-STZF, pitch: 5.08 mm, connection method: Crimp connection, conductor/PCB connection direction: 0 °, locking clip: - without locking clip, plug-in system: COMBICON MSTB 2,5, locking: Screw locking, mounting: Screw flange, type of packaging: packed in cardboard, Corresponding male crimp contacts with current [A] and conductor cross section range [mm²] data: 10A/ICC-MT 0,5-1,0 (3190577); 10A/ICC-MT 0,5-1,0 BA (3190603); 12A/ICC-MT 1,5-2,5 (3190580); 12A/ICC-MT 1,5-2,5 BA (3190593). BA = Bandkontakte

Your advantages

- Inexpensive connection of large quantities of pre-assembled conductors
- Pull-out aid facilitates handling and allows the tensile force to be reduced at the contact point
- Screwable flange for superior mechanical stability
- Can be combined with the MSTB 2,5 range

Commercial Data

Item number	1823406
Packing unit	50 pc
Minimum order quantity	50 pc
Sales Key	AAC
Product Key	AACCBB
Catalog Page	Page 297 (C-1-2013)
GTIN	4017918048266
Weight per Piece (including packing)	3.63 g
Weight per Piece (excluding packing)	3.212 g
Customs tariff number	85389099
Country of origin	PL

ICC 2,5/ 4-STZF-5,08 - PCB connector



1823406

<https://www.phoenixcontact.com/in/products/1823406>

Technical Data

Product properties

Type	Inverted
Product line	COMBICON Connectors M
Product type	PCB plug
Product family	ICC 2,5/...-STZF
Number of positions	4
Pitch	5.08 mm
Number of connections	4
Number of rows	1
Mounting flange	Screw flange
Number of potentials	4

Electrical properties

Nominal current I_N	12 A
Nominal voltage U_N	320 V
Degree of pollution	3
Rated voltage (III/3)	250 V
Rated surge voltage (III/3)	4 kV
Rated voltage (III/2)	320 V
Rated surge voltage (III/2)	4 kV
Rated voltage (II/2)	630 V
Rated surge voltage (II/2)	4 kV

Connection data

Connection technology

Type	Inverted
Connector system	COMBICON MSTB 2,5
Nominal cross section	2.5 mm ²
Type of contact	Pin

Interlock

Locking type	Screw locking
Mounting flange	Screw flange
Tightening torque	0.3 Nm

Conductor connection

Connection method	Crimp connection
Conductor/PCB connection direction	0 °
Conductor cross section flexible	0.5 mm ² ... 2.5 mm ²
Conductor cross section AWG	20 ... 14

Material specifications

ICC 2,5/ 4-STZF-5,08 - PCB connector

1823406

<https://www.phoenixcontact.com/in/products/1823406>

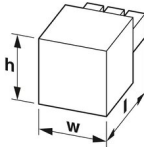
Material data - housing

Color (Housing)	green (6021)
Insulating material	PA
Insulating material group	I
CTI according to IEC 60112	600
Flammability rating according to UL 94	V0
Glow wire flammability index GWFI according to EN 60695-2-12	850
Glow wire ignition temperature GWIT according to EN 60695-2-13	775
Temperature for the ball pressure test according to EN 60695-10-2	125 °C

Material data – actuating element

Color ()	()
----------	----

Dimensions

Dimensional drawing	
Pitch	5.08 mm
Width [w]	30.24 mm
Height [h]	10.6 mm
Length [l]	28.1 mm

Mounting

Flange

Tightening torque	0.3 Nm
-------------------	--------

Notes

Notes on operation	In accordance with IEC 61984, COMBICON connectors have no switching power (COC). During designated use, they must not be plugged in or disconnected when carrying voltage or under load.
--------------------	--

Electrical tests

Air clearances and creepage distances |

Insulating material group	I
Rated insulation voltage (III/3)	250 V
Rated surge voltage (III/3)	4 kV
Rated insulation voltage (III/2)	320 V
Rated surge voltage (III/2)	4 kV
Rated insulation voltage (II/2)	630 V
Rated surge voltage (II/2)	4 kV

ICC 2,5/ 4-STZF-5,08 - PCB connector



1823406

<https://www.phoenixcontact.com/in/products/1823406>

Packaging specifications

Type of packaging
packed in cardboard

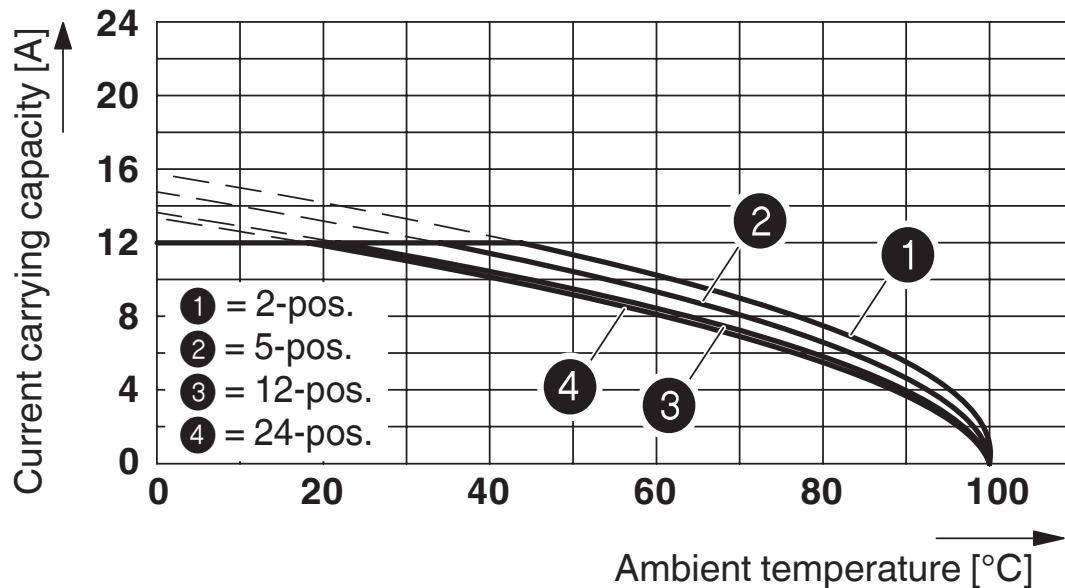
ICC 2,5/ 4-STZF-5,08 - PCB connector

1823406

<https://www.phoenixcontact.com/in/products/1823406>

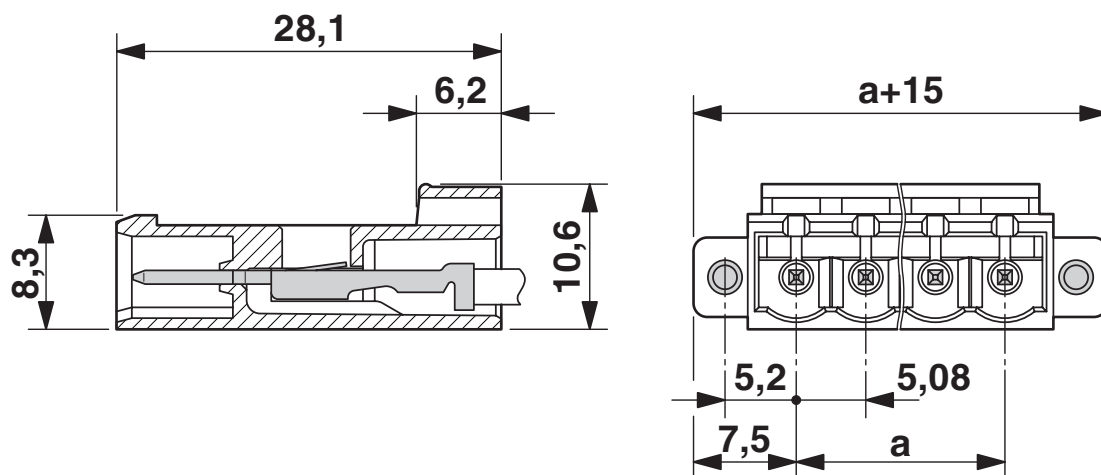
Drawings

Diagram



Type: ICC 2,5/...-ST-5,08 with IC 2,5/...-G-5,08; contact: ICC-MT 1,5 - 2,5

Dimensional drawing




ICC 2,5/ 4-STZF-5,08 - PCB connector




1823406


<https://www.phoenixcontact.com/in/products/1823406>


Approvals

 cULus Recognized Approval ID: E60425-19930525				
	Nominal Voltage U_N	Nominal Current I_N	Cross Section AWG	Cross Section mm^2
	300 V	10 A	20 - 14	-
	300 V	10 A	20 - 14	-

 CSA Approval ID: 13631				
	Nominal Voltage U_N	Nominal Current I_N	Cross Section AWG	Cross Section mm^2
	300 V	10 A	20 - 14	-
	300 V	10 A	20 - 14	-

 IECEE CB Scheme Approval ID: DE1-60988-B1B2				
--	--	--	--	--

 EAC Approval ID: B.01687				
--	--	--	--	--

 VDE Zeichengenehmigung Approval ID: 40050648				
--	--	--	--	--

ICC 2,5/ 4-STZF-5,08 - PCB connector



1823406

<https://www.phoenixcontact.com/in/products/1823406>

Classifications

ECLASS

ECLASS-11.0	27460202
ECLASS-12.0	27460202
ECLASS-13.0	27460202

ETIM

ETIM 8.0	EC002638
----------	----------

UNSPSC

UNSPSC 21.0	39121400
-------------	----------

ICC 2,5/ 4-STZF-5,08 - PCB connector



1823406

<https://www.phoenixcontact.com/in/products/1823406>

Environmental Product Compliance

China RoHS	Environmentally friendly use period: unlimited = EFUP-e
	No hazardous substances above threshold values

ICC 2,5/ 4-STZF-5,08 - PCB connector



1823406

<https://www.phoenixcontact.com/in/products/1823406>

Accessories

ICC-MT 0,5-1,0 - Crimp contact

3190577

<https://www.phoenixcontact.com/in/products/3190577>



Module male contact, is inserted into the ICC connector shell after the conductor has been crimped, for conductors from 0.5-1.0 mm²

ICC-MT 0,5-1,0 BA - Crimp contact

3190603

<https://www.phoenixcontact.com/in/products/3190603>



Module male contact, is inserted into the ICC connector shell after the conductor has been crimped, for conductors from 0.5-1.0 mm², ribbon contact

ICC 2,5/ 4-STZF-5,08 - PCB connector

1823406

<https://www.phoenixcontact.com/in/products/1823406>



ICC-MT 1,5-2,5 - Crimp contact

3190580

<https://www.phoenixcontact.com/in/products/3190580>



Module male contact, is inserted into the ICC connector shell after the conductor has been crimped, for conductors from 1.5-2.5 mm²

ICC-MT 1,5-2,5 BA - Crimp contact

3190593

<https://www.phoenixcontact.com/in/products/3190593>



Module male contact, is inserted into the ICC connector shell after the conductor has been crimped, for conductors from 1.5-2.5 mm², ribbon contact

ICC 2,5/ 4-STZF-5,08 - PCB connector

1823406

<https://www.phoenixcontact.com/in/products/1823406>



CRIMPFOX MT 2,5 - Crimping pliers

1204038

<https://www.phoenixcontact.com/in/products/1204038>



Crimping pliers, for crimping conductors to the module female contacts STG-MTN, crimp range: 0.5-2.5 mm², AWG: 20-14

SZS 0,4X2,5 VDE - Screwdriver

1205037

<https://www.phoenixcontact.com/in/products/1205037>



Screwdriver, slot-headed, VDE insulated, size: 0.4 x 2.5 x 80 mm, 2-component grip, with non-slip grip

ICC 2,5/ 4-STZF-5,08 - PCB connector

1823406

<https://www.phoenixcontact.com/in/products/1823406>

STZ 2-MSTBC-5,08 - Strain relief

1810529

<https://www.phoenixcontact.com/in/products/1810529>



Strain relief for snapping into the latching chambers of the plug components, 2-pos., labeling with ZB 6

STZ 4-MSTBC-5,08 - Strain relief

1810532

<https://www.phoenixcontact.com/in/products/1810532>



Strain relief for snapping into the latching chambers of the plug components, 4-pos., labeling with ZB 6

ICC 2,5/ 4-STZF-5,08 - PCB connector

1823406

<https://www.phoenixcontact.com/in/products/1823406>

STZ 8-MSTBC-5,08 - Strain relief

1810516

<https://www.phoenixcontact.com/in/products/1810516>



Strain relief for snapping into the latching chambers of the plug components, 8-pos., labeling with ZB 6

STZ 12-MSTBC-5,08 - Strain relief

1810503

<https://www.phoenixcontact.com/in/products/1810503>



Strain relief for snapping into the latching chambers of the plug components, 12-pos., labeling with ZB 6

ICC 2,5/ 4-STZF-5,08 - PCB connector

1823406

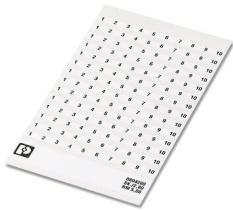
<https://www.phoenixcontact.com/in/products/1823406>



SK 5,08/2,8:FORTL.ZAHLEN - Marker card

0804280

<https://www.phoenixcontact.com/in/products/0804280>



Marker card, white, labeled, horizontal: consecutive numbers 1 ... 10, 11 ... 20, etc. up to 91 ... (99)100, mounting type: adhesive, for terminal block width: 5.08 mm, lettering field size: 5.08 x 2.8 mm

IC 2,5/ 4-GF-5,08 - PCB header

1825145

<https://www.phoenixcontact.com/in/products/1825145>



PCB headers, nominal cross section: 2.5 mm², color: green, nominal current: 12 A, rated voltage (III/2): 320 V, contact surface: Tin, type of contact: Socket, number of potentials: 4, number of rows: 1, number of positions: 4, number of connections: 4, product range: IC 2,5/..-GF, pitch: 5.08 mm, mounting: Wave soldering, pin layout: Linear pinning, solder pin [P]: 3.5 mm, number of solder pins per potential: 2, plug-in system: COMBICON MSTB 2,5, Pin connector pattern alignment: Standard, locking: Screw locking, mounting: Threaded flange, type of packaging: packed in cardboard

Phoenix Contact 2023 © - all rights reserved
<https://www.phoenixcontact.com>

PHOENIX CONTACT (I) Pvt. Ltd.
A-58/2, Okhla Industrial Area, Phase - II, New Delhi-110 020

+91.1275.71420
info@phoenixcontact.co.in