

# NS 35/ 7,5 PERF 1000MM - DIN rail perforated



0807012

<https://www.phoenixcontact.com/in/products/0807012>

Please be informed that the data shown in this PDF document is generated from our Online Catalog. Please find the complete data in the user documentation. Our General Terms of Use for Downloads are valid.



DIN rail perforated, acc. to EN 60715, material: Steel, galvanized, passivated with a thick layer, Standard profile, color: silver

## Commercial Data

Item number	0807012
Packing unit	10 pc
Minimum order quantity	10 pc
Sales Key	BE7
Product Key	BE7244
Catalog Page	Page 527 (C-3-2019)
GTIN	4017918254889
Weight per Piece (including packing)	335 g
Weight per Piece (excluding packing)	320 g
Customs tariff number	72166190
Country of origin	DE

# NS 35/ 7,5 PERF 1000MM - DIN rail perforated



0807012

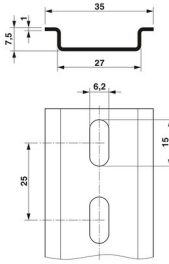
<https://www.phoenixcontact.com/in/products/0807012>

## Technical Data

### Product properties

Product type	DIN rail
--------------	----------

### Dimensions

Dimensional drawing	
Width	35 mm
Hole width	15 mm
Height	7.5 mm
Hole height	6.2 mm
Length	1000 mm
Drill hole spacing	25 mm

### Material specifications

Color	silver
Material	Steel
Coating	galvanized, passivated with a thick layer

### Standards and regulations

Tests	acc. to EN 60715
-------	------------------

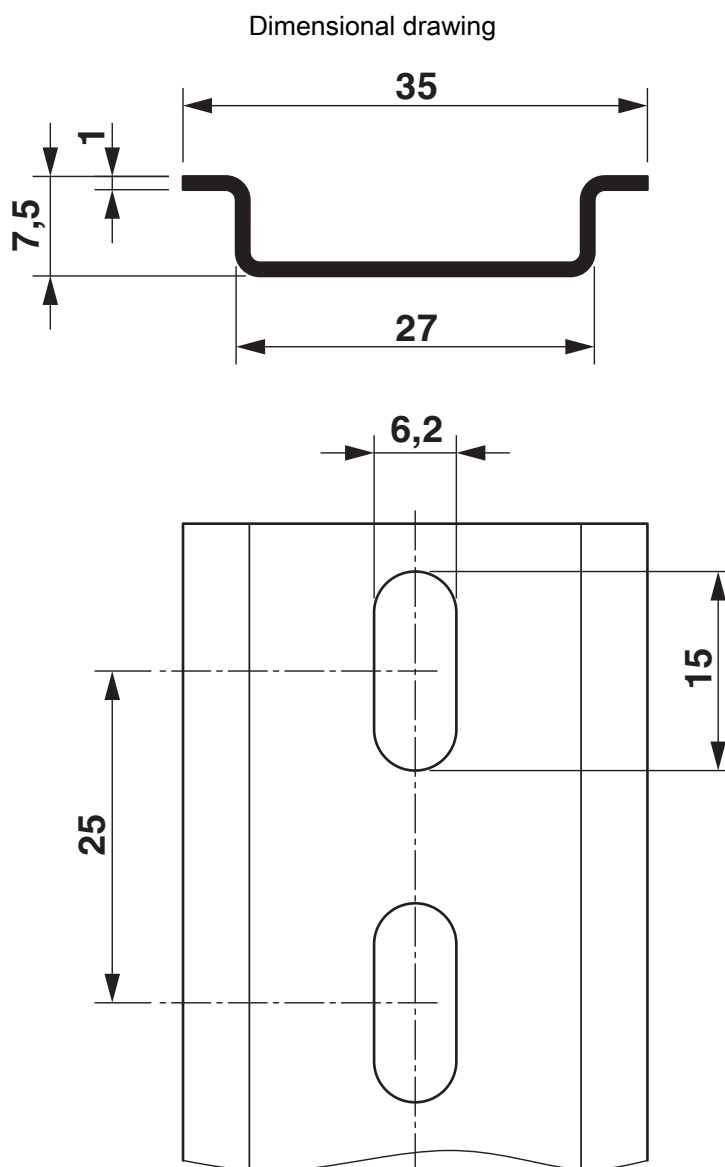
# NS 35/ 7,5 PERF 1000MM - DIN rail perforated

0807012

<https://www.phoenixcontact.com/in/products/0807012>



## Drawings



# NS 35/ 7,5 PERF 1000MM - DIN rail perforated



0807012

<https://www.phoenixcontact.com/in/products/0807012>

## Classifications

### ECLASS

ECLASS-11.0	27400602
ECLASS-13.0	27400602
ECLASS-12.0	27400602

### ETIM

ETIM 8.0	EC001285
----------	----------

### UNSPSC

UNSPSC 21.0	39121700
-------------	----------

# NS 35/ 7,5 PERF 1000MM - DIN rail perforated



0807012

<https://www.phoenixcontact.com/in/products/0807012>

## Environmental Product Compliance

China RoHS	Environmentally friendly use period: unlimited = EFUP-e
	No hazardous substances above threshold values

Phoenix Contact 2023 © - all rights reserved  
<https://www.phoenixcontact.com>

PHOENIX CONTACT (I) Pvt. Ltd.  
A-58/2, Okhla Industrial Area, Phase - II, New Delhi-110 020

+91.1275.71420  
[info@phoenixcontact.co.in](mailto:info@phoenixcontact.co.in)